

LP1-BC10E Bi-Directional Sound Projector



Security Systems



- Superb speech and music reproduction
- Ease of installation
- Modern unobtrusive styling
- Integrated connection cable
- Suitable for loop-through cabling
- Ceiling and/or wall mounting
- Tough, impact-resistant enclosure
- Water and dust protected to IP 65
- BS 5839 part 8 compliant

Sound projectors are intended for applications, where directing the sound beam is desirable. Similar in concept to a spotlight, a sound projector can be used to provide localized sound reproduction

The Bosch LP1-BC10E is a powerful 10 W bi-directional sound projector intended for high-quality speech and music reproduction in a wide range of in – and outdoor applications. The enclosure contains two loudspeakers facing in opposite directions. Typical applications for this unit are subway tunnels, long corridors and shopping arcades. The state-of-art design will perfectly match into both modern and traditional designed environments.

Functions

Superb sound quality

The use of high quality drivers in combination with advanced filtering, has resulted in a very natural sound reproduction.

Voice alarm loudspeaker

Voice alarm loudspeakers are specifically designed for use in buildings where performance of systems for verbal communication announcements is governed by regulations. The LP1-BC10E is designed for use in voice alarm systems and is compliant with British Standard BS 5839 part 8. The sound projector is pre-wired for use with an optional line/loudspeaker supervision board externally mounted. The loudspeaker has built-in protection to secure that, in the event of a fire, damage to the loudspeaker does not result in failure of the circuit to which it is connected. In this way, system integrity is maintained, ensuring loudspeakers in other areas can still be used to inform people of the situation. The loudspeaker has a ceramic terminal block, thermal fuse and heat resistant, high-temperature wiring.

The sound projector is made from high-impact self-extinguishing ABS acc. to class UL 94 V 0, finished in off-white.

BOSCH

Parts Included

Quantity	Component
1	LP1-BC10E Bi-Directional Sound Projector

Certifications and Approvals

Quality assurance

All Bosch loudspeakers are designed to withstand operating at their rated power for 100 hours in accordance with IEC 268-5 Power Handling Capacity (PHC) standards. Bosch has also developed the Simulated Acoustical Feedback Exposure (SAFE) test to demonstrate that they can withstand two times their rated power for short durations. This ensures extra reliability under extreme conditions, leading to higher customer satisfaction, longer operating life, and much less chance of failure or performance deterioration.

Safety aspects

In common with all Bosch products, care is taken to meet high safety standards. This sound projector complies with the relevant safety and installation regulations of EN 60065 and BS 5839 part 8. All ABS parts are self-extinguishing (according to UL 94 V 0)

Water and Dust Protected	acc. to IEC 60529 IP 65
--------------------------	-------------------------

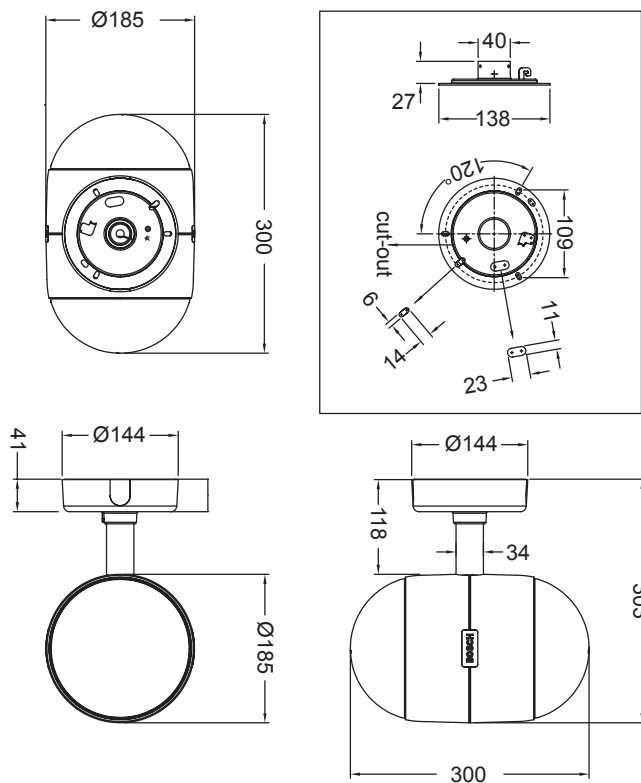
Installation/Configuration Notes

Mounting

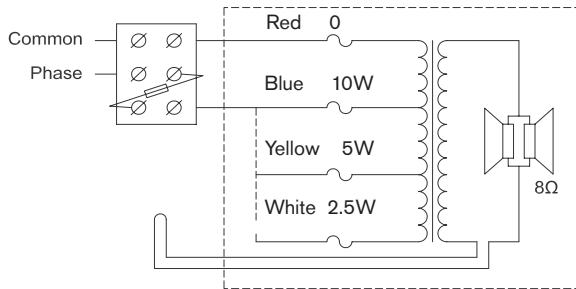
Ease of installation is realized in the way of mounting: first the mounting plate is fixed to the wall or ceiling, secondly a safety cord is attached to the mounting plate, allowing the installer temporarily hang the loudspeaker during installation. After making the connections, the sound projector can be fixed to the mounting plate and the horizontal direction can be fixed. A cover plate covers screws and electrical wiring. The versatile mounting bracket allows the sound projector to be horizontal directed. The cover plate is provided with 2 cable – or 16 mm conduit entries (covered as standard supplied) in opposite position, suitable for loop- through cabling.

Power setting

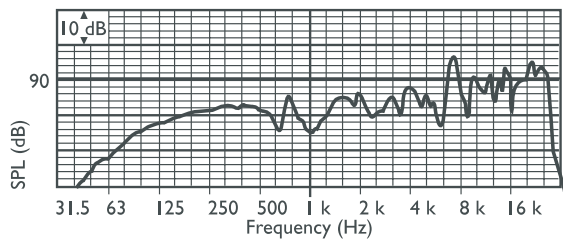
A ceramic terminal for electrical connection is provided. The loudspeaker is standard connected to full power. Half-power or quarter power can be selected by connecting the appropriate color coded wire to the terminal block.



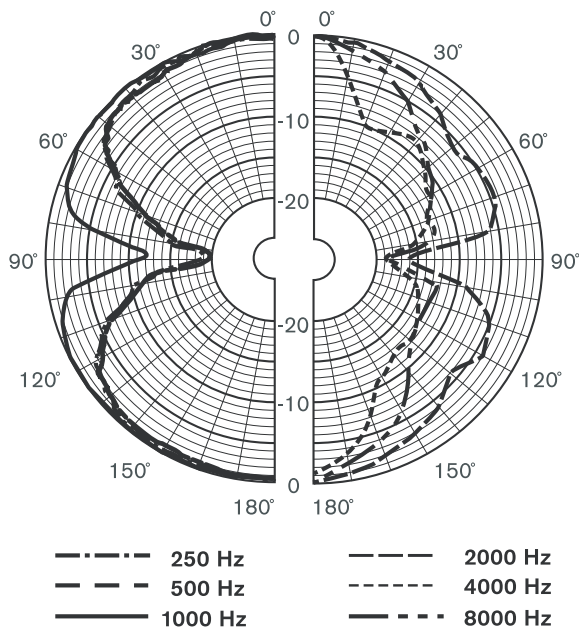
Dimensions in mm



Circuit diagram



Frequency response



Polar diagram (measured with pink noise)

Technical Specifications

Electrical*

Maximum Power	15 W
Rated Power	10 W (10-5-2.5 W)
Sound Pressure Level at 10 W / 1 W (at 1kHz, 1 m)	90 dB / 80 dB (SPL)
Effective Frequency Range (-10 dB)	75 Hz to 20 kHz
Opening Angle (at 1 kHz / 4 kHz)	165° / 60°
Rated Input Voltage	100 V
Rated Impedance	1000 ohm

Mechanical

Connection	3 way screw terminal block
Material	ABS
Dimensions (dia. x L)	185 x 297 mm (7.3 x 11.7 Inch)
Color	White (RAL 9010)
Weight	3 kg (6.6 lb)

Environmental

Ambient Temperature	-25 °C to +55 °C
---------------------	------------------

*) Technical performance data acc. to IEC 60268-5

Ordering Information

Model & Description

LP1-BC10E Bi-Directional Sound Projector

Americas:

Bosch Security Systems
130 Perinton Parkway
Fairport, New York, 14450, USA
Phone:+1 585 223 4060
+1 800 289 0096
security.sales@us.bosch.com
<http://www.boschsecurity.us>

Europe, Middle East, Africa:

Bosch Security Systems B.V.
P.O. Box 80002
5600 JB Eindhoven, The Netherlands
Phone:+31 (0) 40 27 83955
Fax:+31 (0) 40 27 86668
emea.securitysystems@bosch.com
<http://www.boschsecurity.com>

Asia-Pacific:

Bosch Security Systems Pte Ltd
38C Jalan Pemimpin
Singapore 577180
Phone:+65 6319 3450
Fax:+65 6319 3499
apr.securitysystems@bosch.com
<http://www.boschsecurity.com>

BOSCH