

# LBC 340x/15 Horn Loudspeakers



## Security Systems



- Excellent acoustic properties
- Choice of driver units
- Water- and dust protected to IP 65
- Versatile mounting bracket
- UV light resistant
- Self-extinguishing to UL 94 Vo

The Bosch professional horn loudspeaker system allows a range of different driver units to be installed into the various horns. The system includes four horns, three circular types with aperture diameters of 255, 380 and 510 mm and a rectangular model with an opening measuring 390 x 235 mm.

### Functions

The drivers (ordered separately) are mounted inside the horn, and the connection cable is fed out through a cable gland in the cover plate. This makes the loudspeaker horn/driver unit splash-waterproof, and therefore ideal for outdoor sound reinforcement applications. Three driver units are available, a 15 W, 30 W and a 50 W type for 100 V lines only. See separate datasheet.

In the construction of the horns, maximum use has been made of standard parts in a modular concept. The screw thread for securing the driver units is a standard 1 3/8-inch thread

(1 3/8" - 18 UNEF-2A). The shape of the cover plate gives the horns a distinctive and easily recognizable style.

The cover plates have provision on their inside face for mounting the optional line/loudspeaker supervision board.

**Note:** The 50 W driver cannot be used in horns where the line/loudspeaker supervision board is installed.

They are made from flame retardant high-impact Polystyrene (PS) material combining strength with low weight. This rugged material is resistant to ultraviolet light, aggressive environments and most industrial chemicals. The horns (incl. brackets) are finished in light grey. The sturdy steel mounting bracket allows easy mounting and directing of the horn.

### Parts Included

Quantity	Component
1	340x/15 Horn Loudspeaker

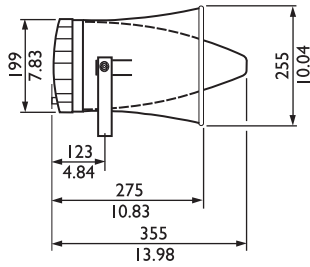
### Certifications and Approvals

Self-extinguishing	acc. to UL 94 Vo
Water- and dust protected	acc. to IEC 60529 IP 65 (all models)

# BOSCH

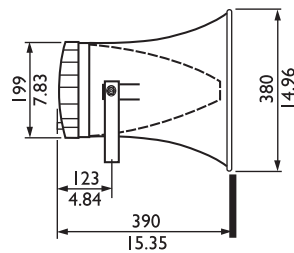
**Installation/Configuration Notes**

**LBC 3403/15**



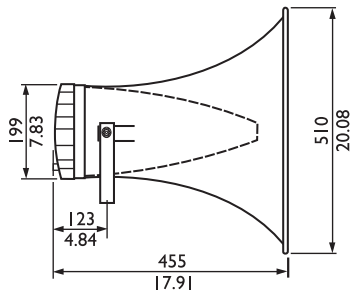
*Dimensions (in mm / inches)*

**LBC 3404/15**



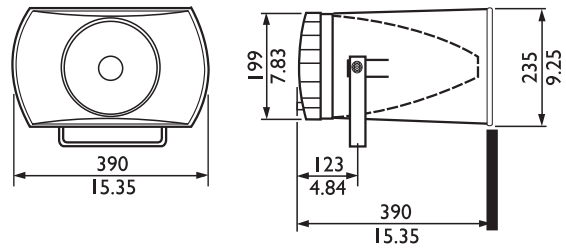
*Dimensions (in mm / inches)*

**LBC 3405/15**



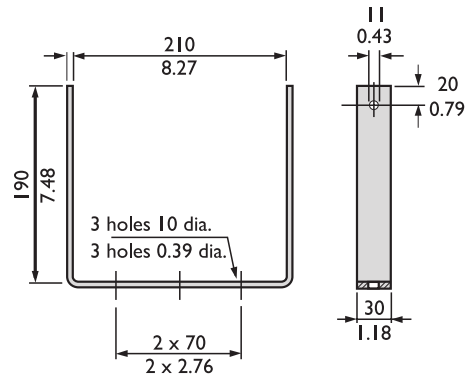
*Dimensions (in mm / inches)*

**LBC 3406/15**



*Dimensions (in mm / inches)*

**Mouting bracket (all models)**



*Dimensions (in mm/inches)*

**Ordering Information**

**Model & Description**

LBC 3403/15 Horn, Circular, 10" without Driver  
diameter = 255 mm

LBC 3404/15 Horn, Circular, 15" without Driver  
diameter = 255 mm

LBC 3405/15 Horn, Circular, 20" without Driver  
diameter = 380 mm

LBC 3406/15 Horn, Rectangular, 8 x 15" without Driver  
diameter = 510 mm

**Hardware Accessories**

LBC 1256/00 EVAC Connection Adapter  
3-pole screw connector

LBN 9000/00 Driver Unit, 15 W  
100 V, 22.5 / 15 W max / rated power (PHC)

LBN 9001/00 Driver Unit, 30 W  
100 V, 45 / 30 W max / rated power (PHC)

LBN 9003/00 Driver Unit, 50 W  
100 V, 75 / 50 W max / rated power (PHC)

**Americas:**

Bosch Security Systems  
130 Perinton Parkway  
Fairport, New York, 14450, USA  
Phone:+1 (0) 585 223 4060  
Fax:+1 (0) 585 223 9180  
security.sales@us.bosch.com  
http://www.boschsecurity.us

**Europe, Middle East, Africa:**

Bosch Security Systems B.V.  
P.O. Box 80002  
5600 JB Eindhoven, The Netherlands  
Phone:+31 (0) 40 27 83955  
Fax:+31 (0) 40 27 86668  
emea.securitysystems@bosch.com  
http://www.boschsecurity.com

**Asia-Pacific:**

Bosch Security Systems Pte Ltd  
38C Jalan Pemimpin  
Singapore 577180  
Phone:+65 6319 3450  
Fax:+65 6319 3499  
apr.securitysystems@bosch.com  
http://www.boschsecurity.com

**BOSCH**