

LBC 3018/00 Metal Cabinet Loudspeaker



Security Systems



- Suitable for speech and music reproduction
- Robust metal enclosure
- Surface and/or recessed mounting
- Unobtrusive in virtually all interiors
- Recommended for voice – evacuation systems
- Complies with international installation and safety regulations
- BS 5839 Part 8 compliant

Bosch loudspeakers offer a combination of quality, performance and innovation in public address. They are the result of over half century's experience in professional audio, and meet virtually all sound reinforcement system requirements.

The LBC 3018/00 cabinet loudspeaker delivers professional performance from a robust, yet aesthetically designed metal enclosure.

It is an ideal loudspeaker for indoor use in offices, schools, car parking, shopping centers and in areas where vandalism is a potential hazard.

Functions

Voice alarm loudspeakers are specifically designed for use in buildings where performance of systems for verbal communication announcements is governed by regulations. The LBC 3018/00 is designed for use in voice alarm systems and is compliant with British Standard BS 5839 part 8.

The loudspeaker has built-in protection to ensure that, in the event of a fire, damage to the loudspeaker does not result in failure of the circuit to which it is connected. In this way, system integrity is maintained, ensuring loudspeakers in other areas can still be used to inform people of the situation. The loudspeaker has a ceramic terminal block, thermal fuse and heat-resistant, high-temperature wiring.

The cabinets are equipped with a high efficiency dual-cone loudspeaker offering a wide frequency range suitable for both speech and music reproduction.

Parts Included

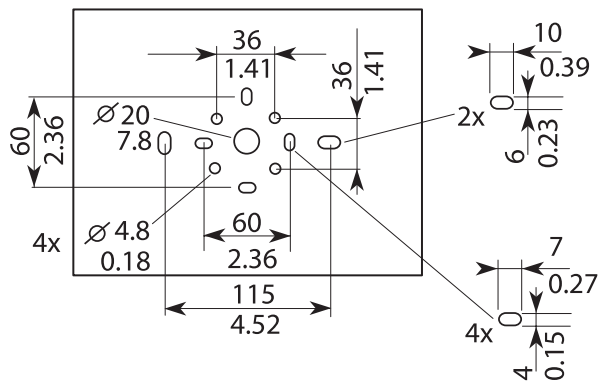
Quantity	Component
1	LBC 3018/00 Metal Cabinet Loudspeaker

Certifications and Approvals

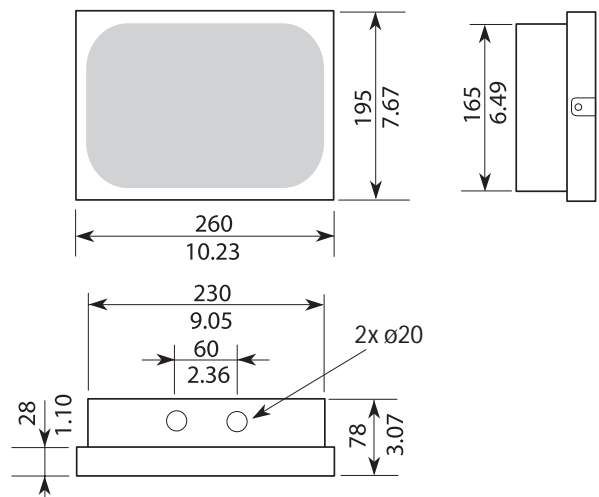
All Bosch loudspeakers are designed to withstand operating at their rated power for 100 hours in accordance with IEC 268-5 Power Handling Capacity (PHC) standards. Bosch has also developed the Simulated Acoustical Feedback Exposure (SAFE) test to demonstrate that they can withstand two times their rated power for short durations. This ensures extra reliability under extreme conditions, leading to higher customer satisfaction, longer operating life, and much less chance of failure or performance deterioration.

Safety	acc. to EN 60065
EVAC Compliant	acc. to BS 5839 part 8

Installation/Configuration Notes

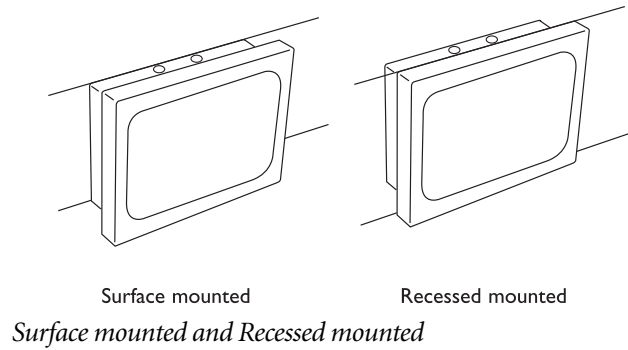


Mounting dimensions (in mm/inch)

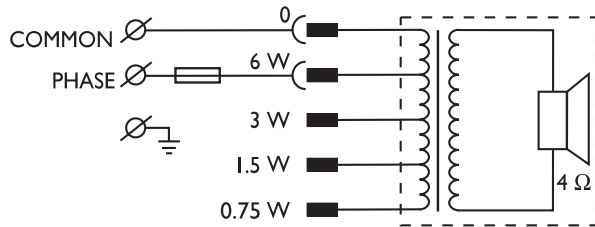


Dimensions (in mm/inch)

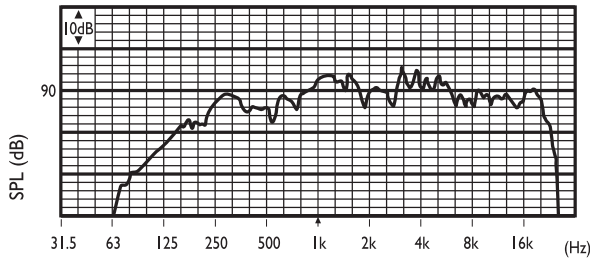
The cabinet is designed for both surface mounting on walls and recessed mounting into brick or concrete walls. The backbox of the cabinet provides a selection of mounting holes, even for mounting onto U40 and MK installation boxes. The backbox of the cabinet is provided on the topside with two knock-out holes for two cable glands to facilitate loop-through connection. For extra convenience, a safety cord from the backbox allows the installer to temporarily hang the frontgrille unit during installation.



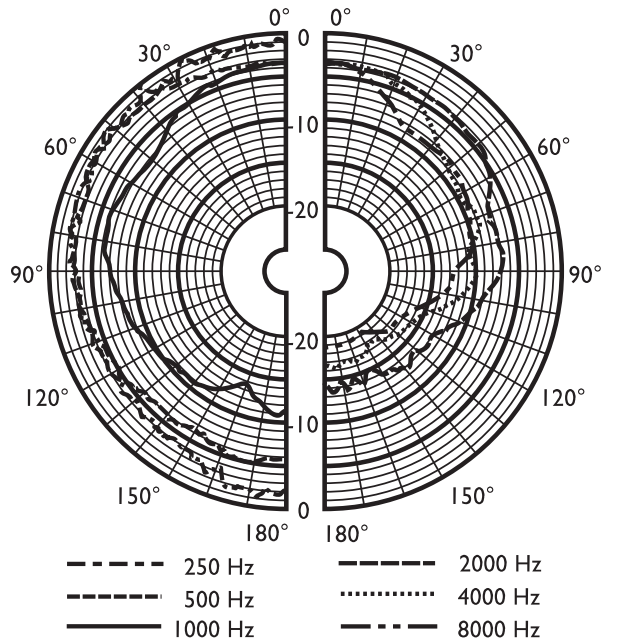
The cabinet has a three-way terminal block with screw connections suitable for loop-through wiring (including earth) Four primary taps are provided on the matching transformer to allow selection of nominal full-power, half-power, quarter-power or eight power radiation (i.e. in 3 dB steps).



Circuit diagram



Frequency response



Polar diagram (measured with pink noise)

Octave band (Hz)	250	500	1k	2k	4k	8k
SPL 1.1	84	93	95	97	97	93
SPL max.	92	101	103	105	105	103
Q-factor	2.5	3.3	7.9	8.5	12.9	14.2
Efficiency	0.32	2.2	4.0	7.1	5.6	2.5
Hor. angle	180	180	120	85	5.5	40
Vert. angle	180	180	80	110	60	35

Quick reference table

4 | LBC 3018/00 Metal Cabinet Loudspeaker

Technical Specifications

Electrical*

Maximum Power	9 W
Rated Power (PHC)	6 W (6 -3 -1.5 - 0.75 W)
Sound Pressure Level at 6 W/1W (at 1 kHz, 1 m)	102 dB/ 94 dB (SPL)
Effective Frequency Range (-10dB)	150 Hz to 20 kHz
Opening Angle (at 1 kHz/4 kHz, -6 dB)	120 ° / 55 °
Rated Voltage	100 V
Rated Impedance	1667 ohm

Mechanical

Speaker Size	152.4 mm (6 inch)
Magnet Weight	5.3 oz
Connection	3-way screw connector
Dimensions (H x W x D)	195 x 260 x 80 mm (7.68 x 10.24 x 3.15 inch)
Color	White (RAL 9010)
Weight	2.6 kg (5.78 lb)

Environmental

Ambient Temperature Range	-25 °C to + 55 °C (-13°F to 131°F)
---------------------------	------------------------------------

*) Technical performance data acc. to IEC 60268-5

Ordering Information

Model & Description

LBC 3018/00 Metal Cabinet Loudspeaker
LBC 1256/00 EVAC Connection Adapter
3-pole screw connector

Americas:

Bosch Security Systems
130 Perinton Parkway
Fairport, New York, 14450, USA
Phone:+1 (0) 585 223 4060
Fax:+1 (0) 585 223 9180
security.sales@us.bosch.com
<http://www.boschsecurity.us>

Europe, Middle East, Africa:

Bosch Security Systems B.V.
P.O. Box 80002
5600 JB Eindhoven, The Netherlands
Phone:+31 (0) 40 27 83955
Fax:+31 (0) 40 27 86668
emea.securitysystems@bosch.com
<http://www.boschsecurity.com>

Asia-Pacific:

Bosch Security Systems Pte Ltd
38C Jalan Pemimpin
Singapore 577180
Phone:+65 6319 3450
Fax:+65 6319 3499
apr.securitysystems@bosch.com
<http://www.boschsecurity.com>

BOSCH