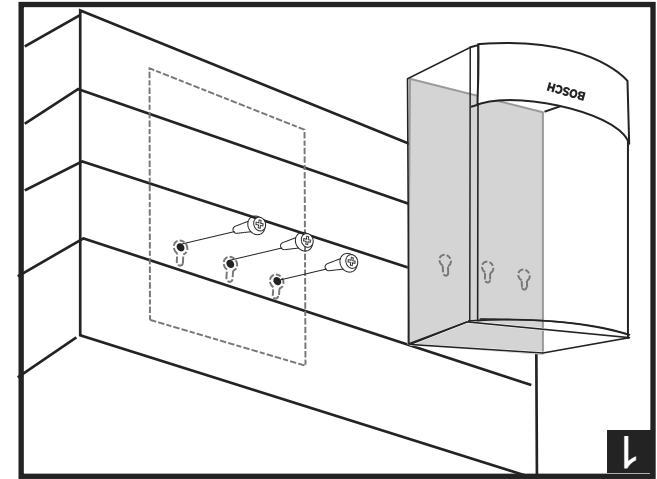
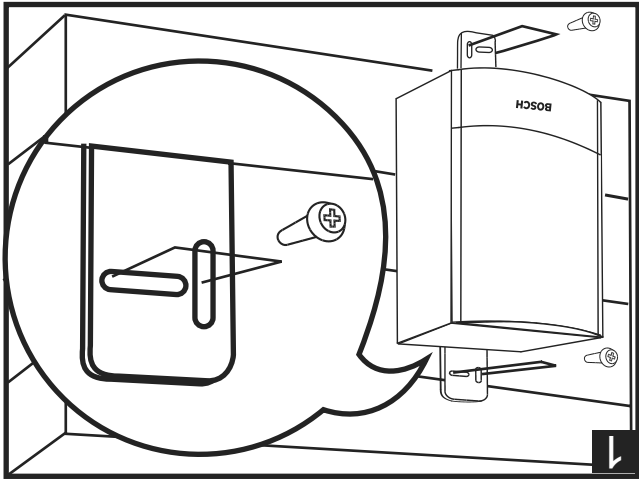


Move away the bracket and wall mounting with key holes.



Technical performance data acc. to IEC 60268-5

	LB1-UW06-FD/LB1-UW06-FL
Max. power	9 W
Rated power (PHC)	6 W
Sound pressure level at rated power / 1 W (at 1 kHz, 1 m)	99/91 dB
Effective frequency range (-10 dB)	180 Hz to 20 kHz
Opening angle (at 1 kHz / 4 kHz, -6 dB)	
Horizontal	165/95
Vertical	150/72
Rated voltage	100V
Rated impedance	1667 Ohm
Size of speaker	5.25" (1 x)
Magnet weight	2.8 oz
Ambient temperature range	-25 to 55 C
Safety	EN 60065
Connection	4-pole-push-in terminal block
Dimension (HxWxD)	240x115x139
Weight	0.9kg
Color	
Cabinet / front	Matches RAL 9010/RAL 7044 (-L)
Cabinet / front	Matches RAL 9004/RAL 9004(-D)

Cabinet Loudspeaker

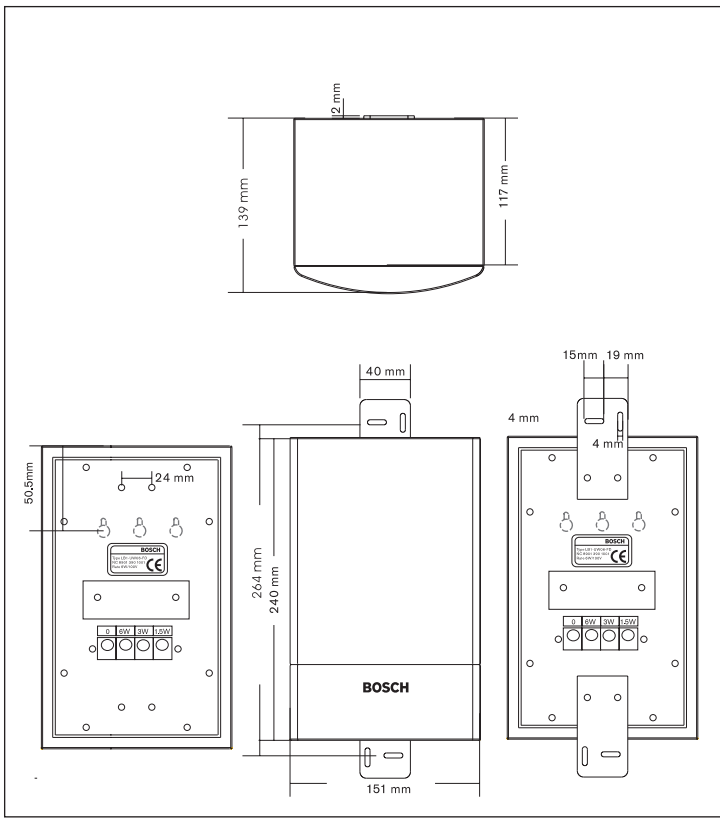


Security Systems

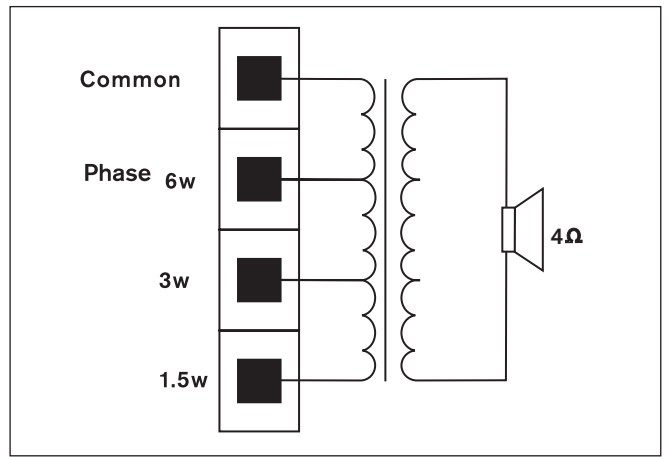
EN | Instructions for use
LB1-UW06-FD
LB1-UW06-FL

Type number overview:

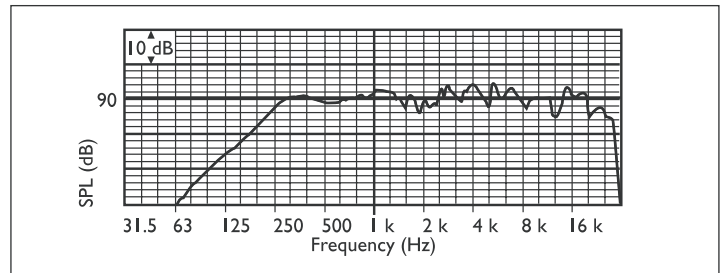
- LB1-UW06-FD 6 W cabinet (Black)
- LB1-UW06-FL 6 W cabinet (White)



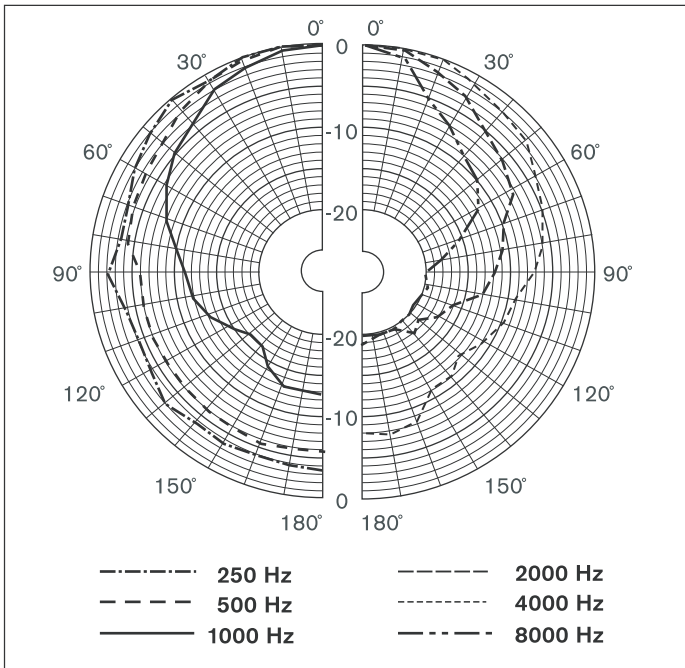
Dimensions of LB1-UW06-FD, LB1-UW06-FL (in mm)



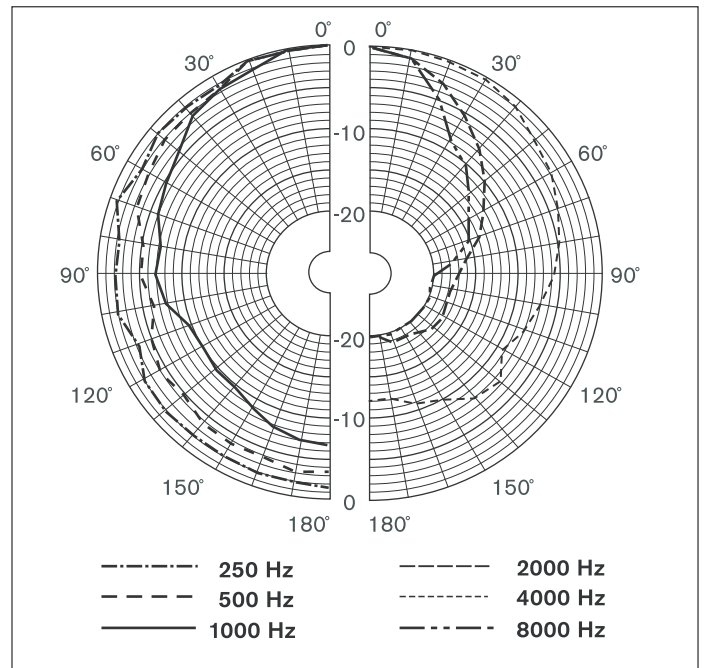
Circuit diagram of LB1-VW06-FD, LB1-VW06-FL



Frequency response



Polar diagram horizontal (measured with pink noise)



Polar diagram vertical (measured with pink noise)