

Ceiling Loudspeakers

LC4-UC06E, LC4-UC12E and LC4-UC24E



BOSCH

en Installation Note

1 Installation

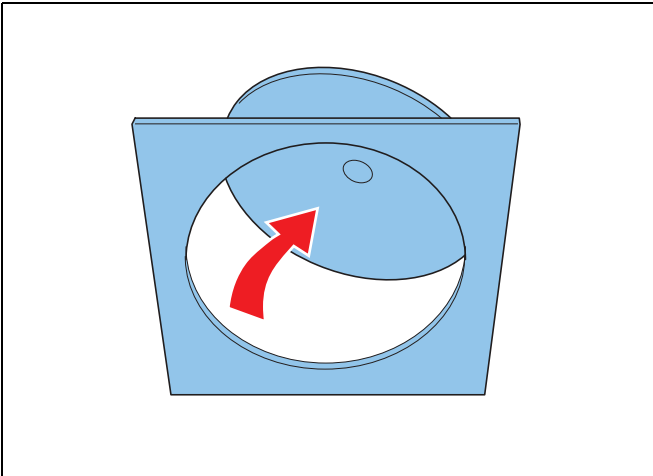


Fig. 1

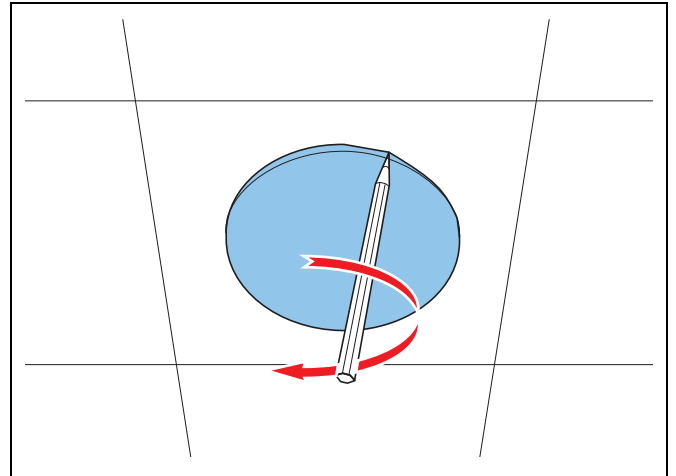


Fig. 2

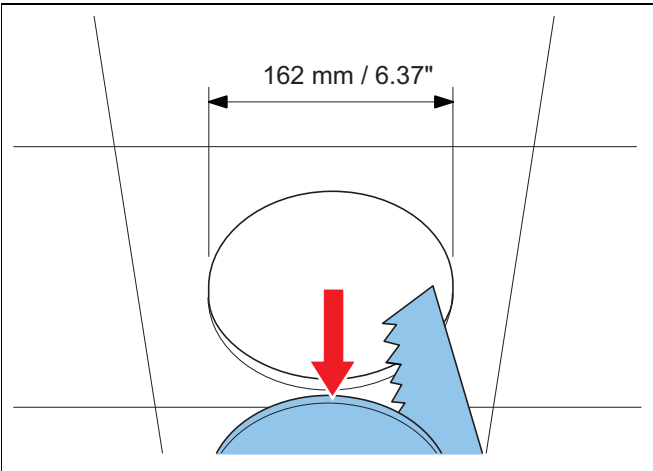


Fig. 3

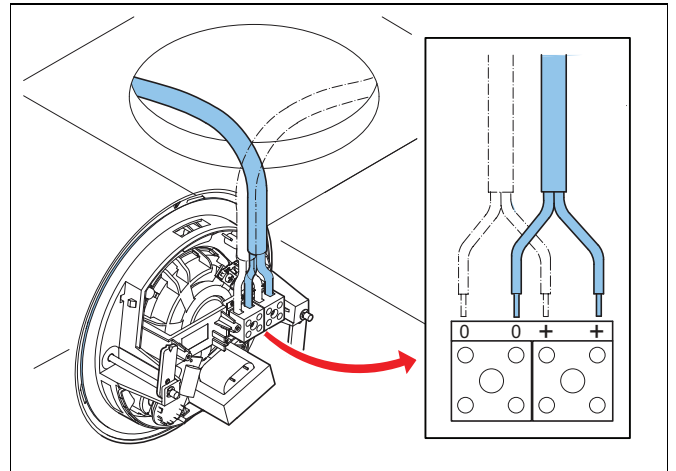


Fig. 4

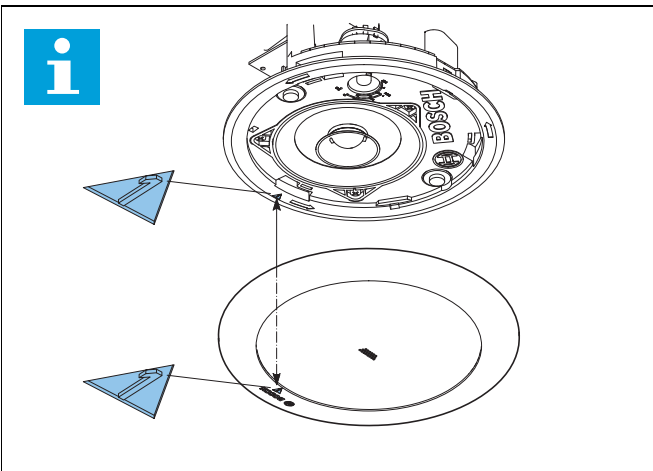


Fig. 5

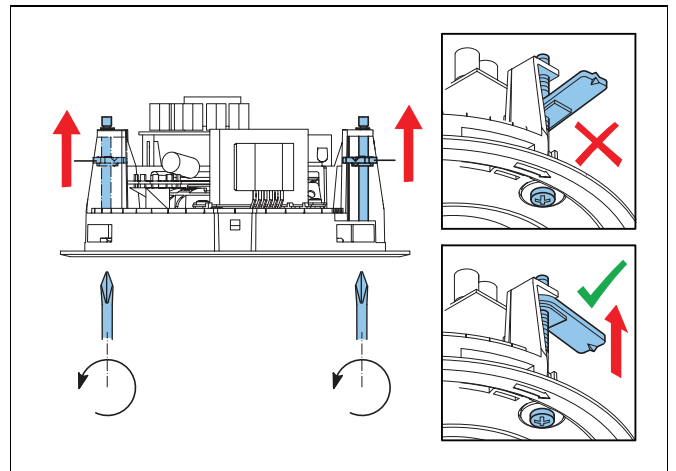


Fig. 6

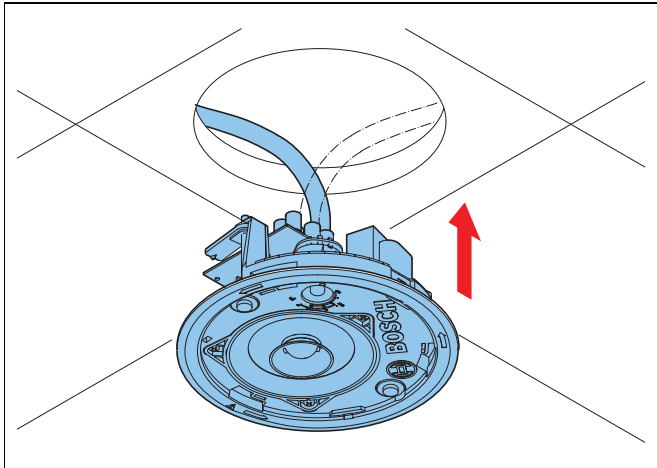


Fig. 7

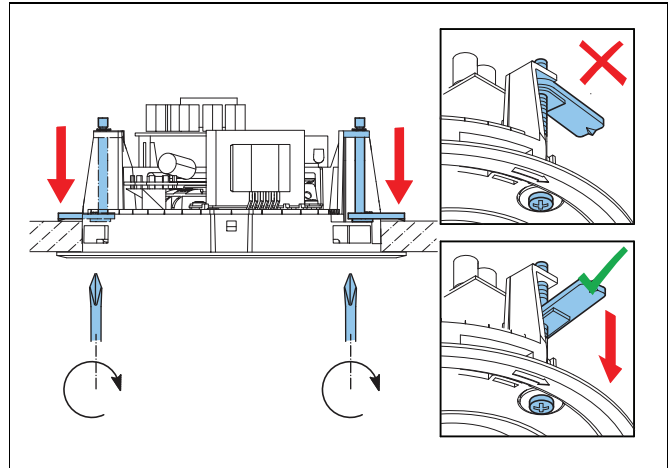


Fig. 8

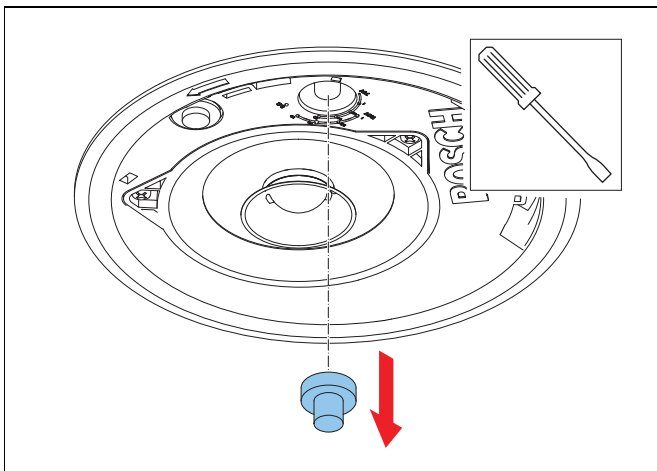


Fig. 9

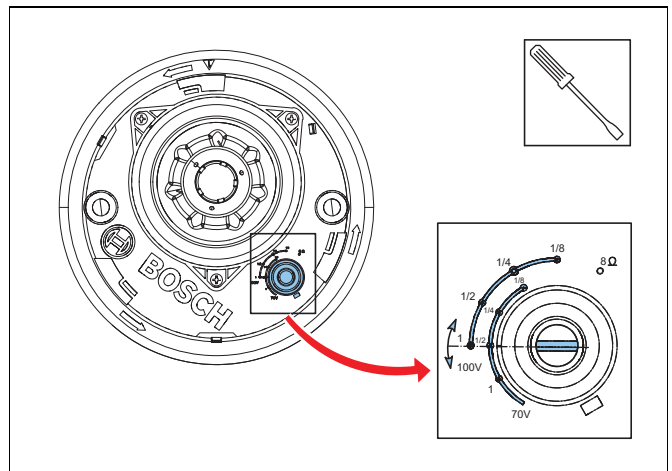


Fig. 10

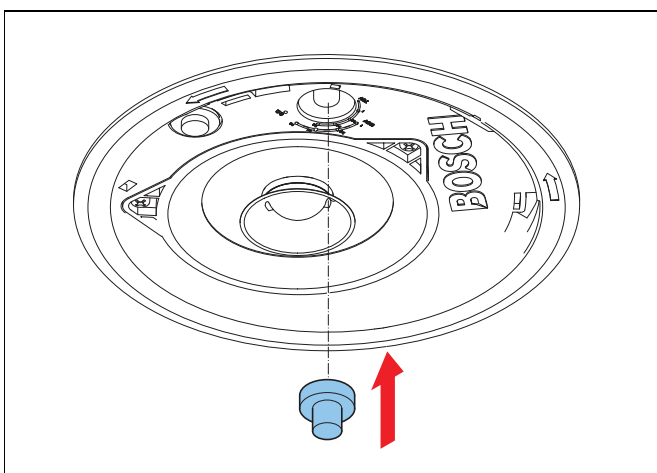


Fig. 11

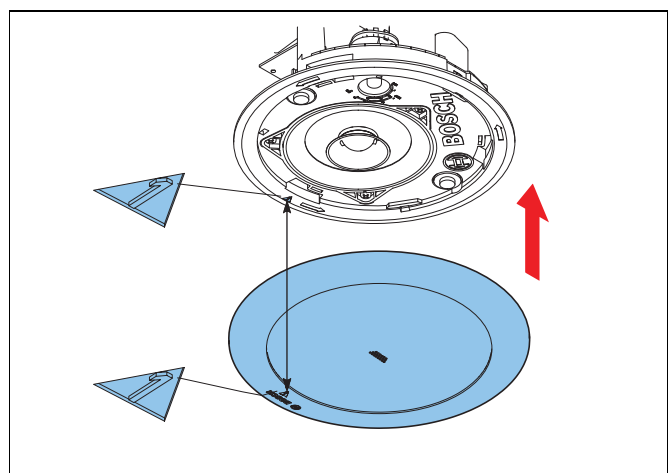


Fig. 12

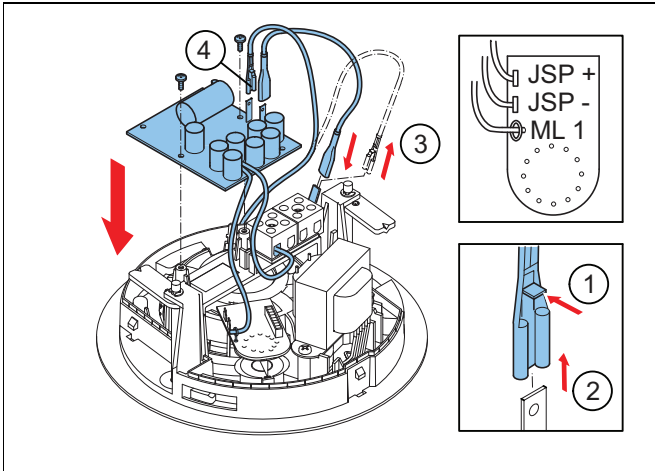


Fig. 13
Optional mounting LBB 4441

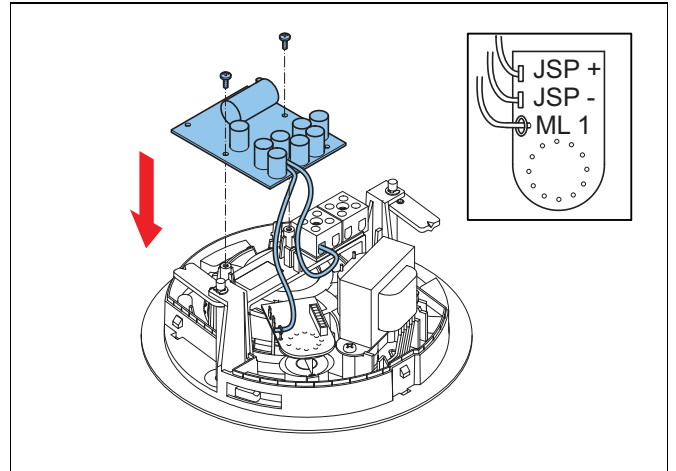


Fig. 14
Optional mounting LBB 4442

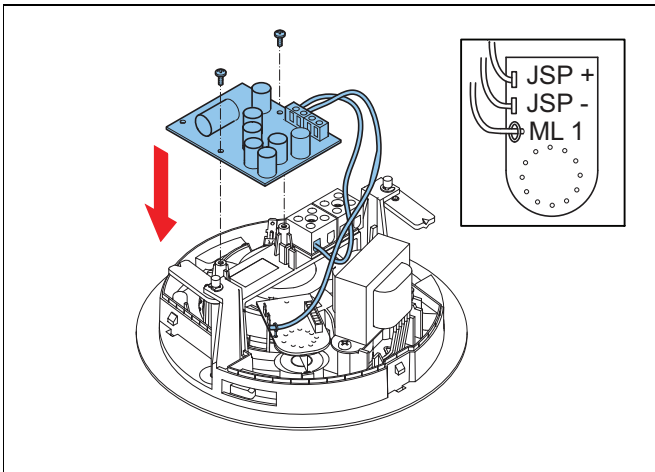


Fig. 15
Optional mounting LBB 4443

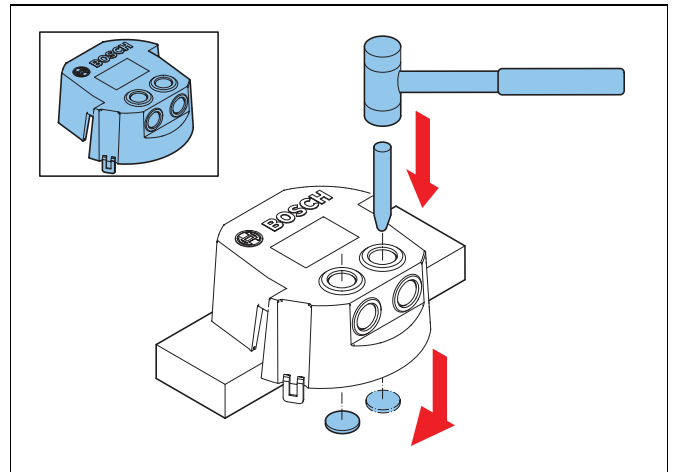


Fig. 16
LC4-CBB

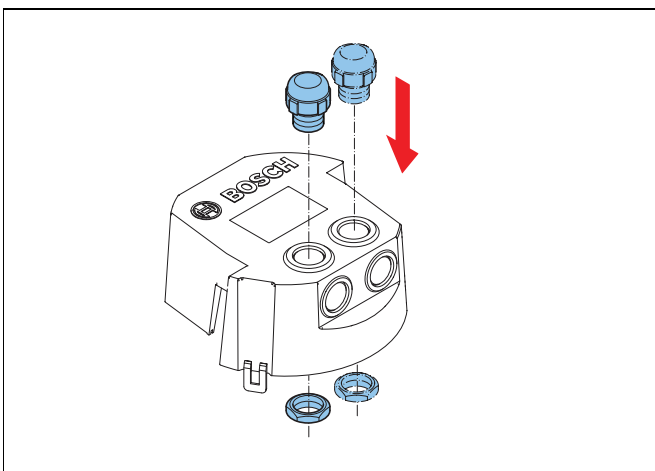


Fig. 17

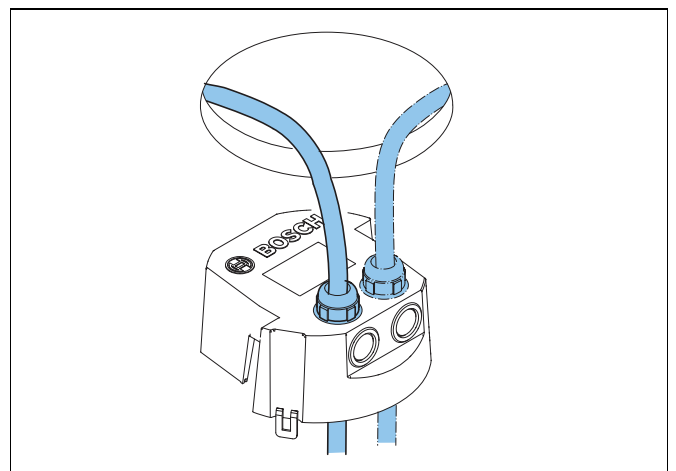


Fig. 18

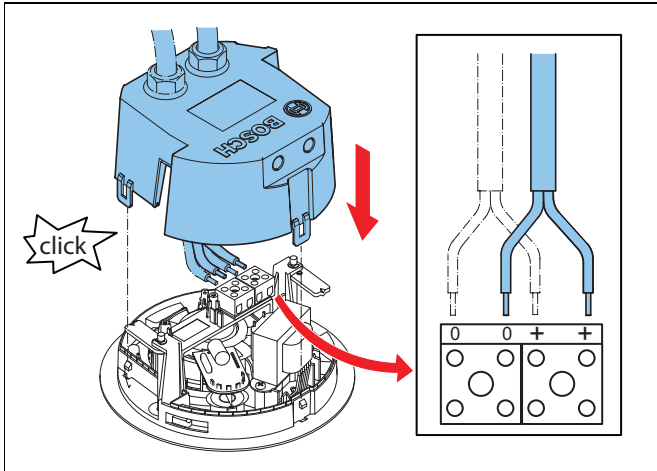


Fig. 19
Next steps: fig. 5-12

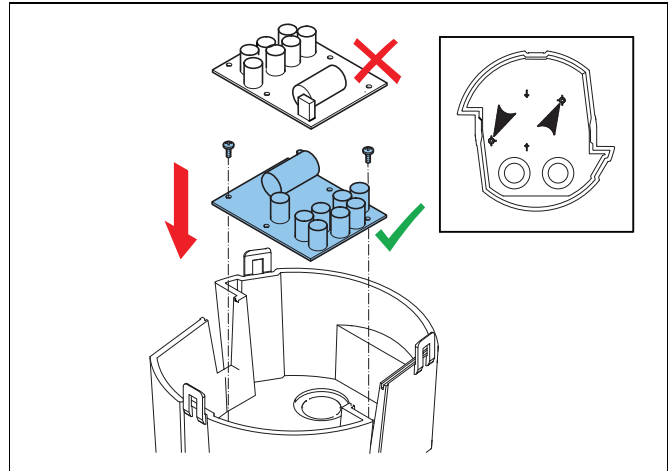


Fig. 20
Optional mounting LBB 4441 / LBB 4442
Next steps: fig. 13-15

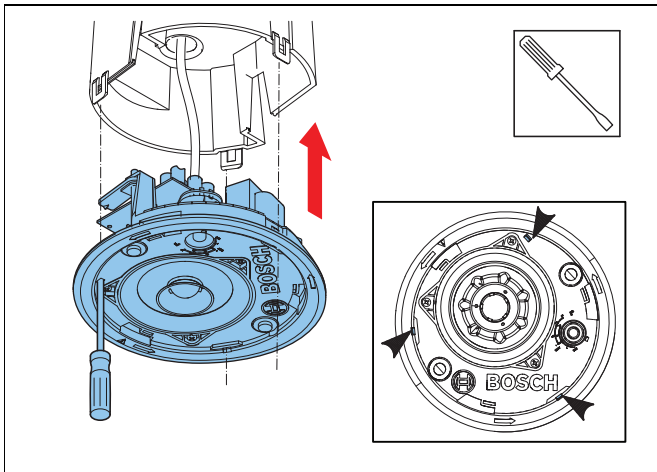


Fig. 21

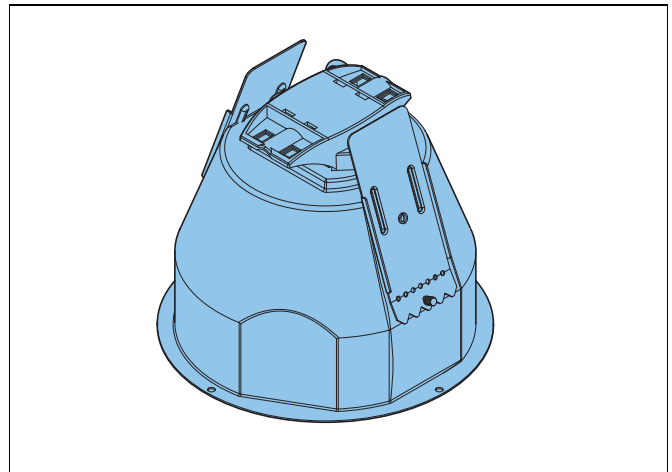


Fig. 22
LC4-MFD

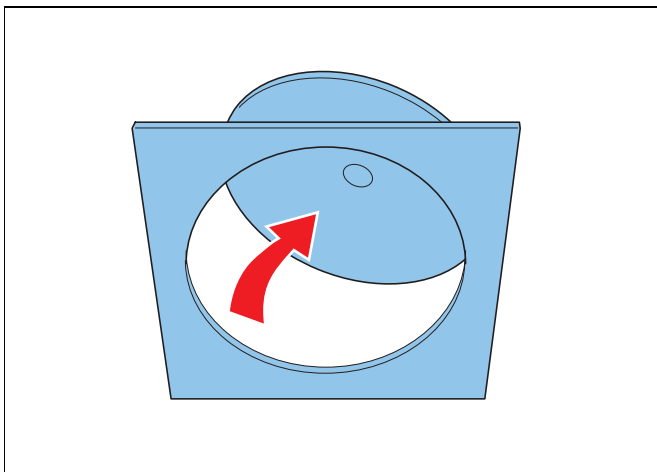


Fig. 23

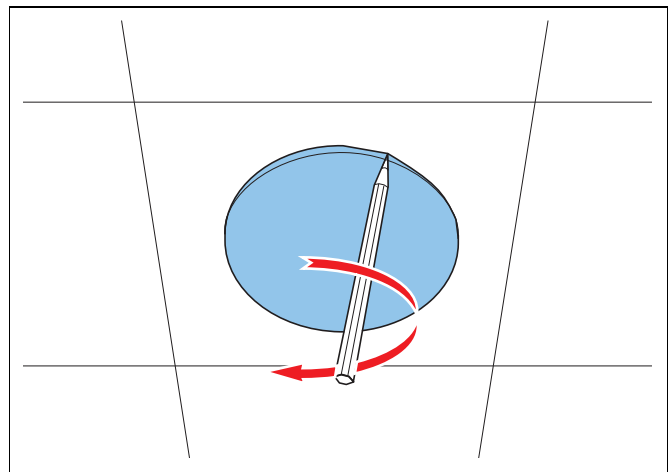


Fig. 24

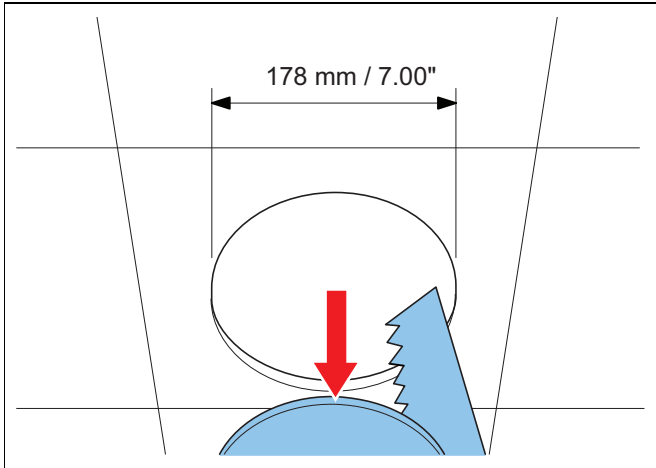


Fig. 25

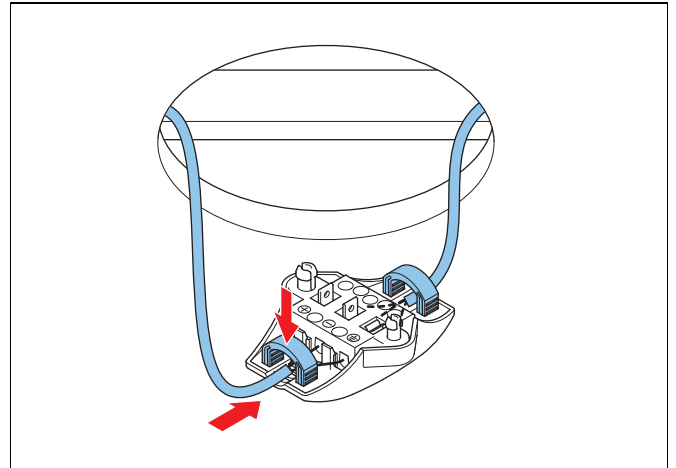


Fig. 26

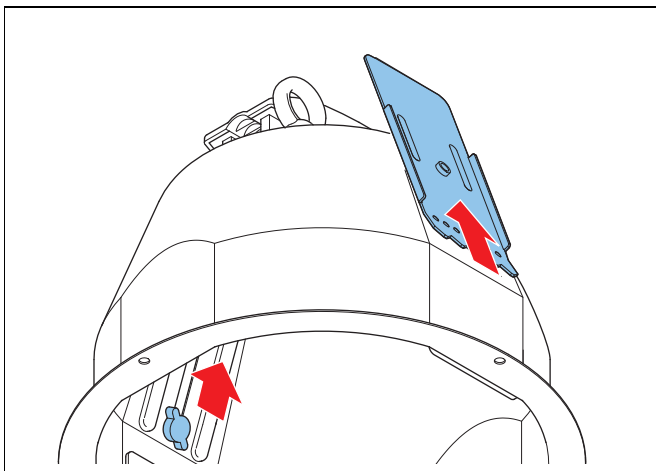


Fig. 27

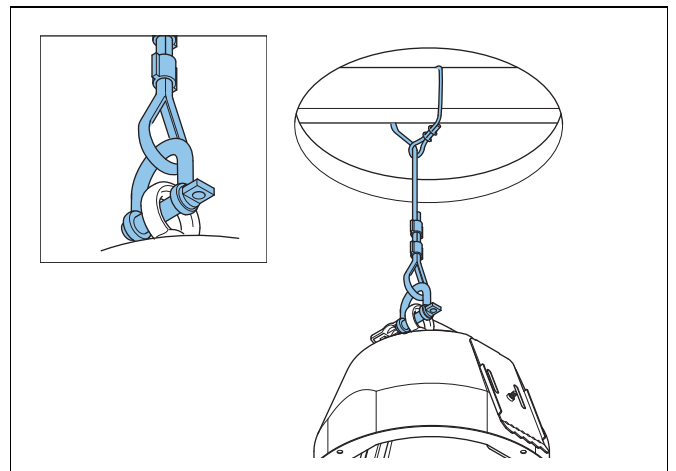


Fig. 28
Optional

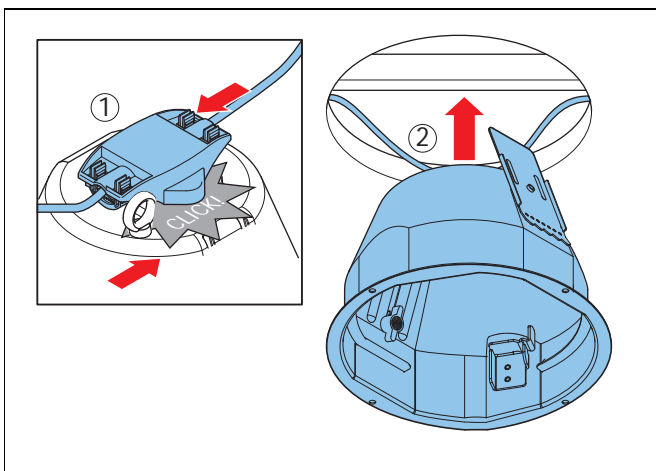


Fig. 29

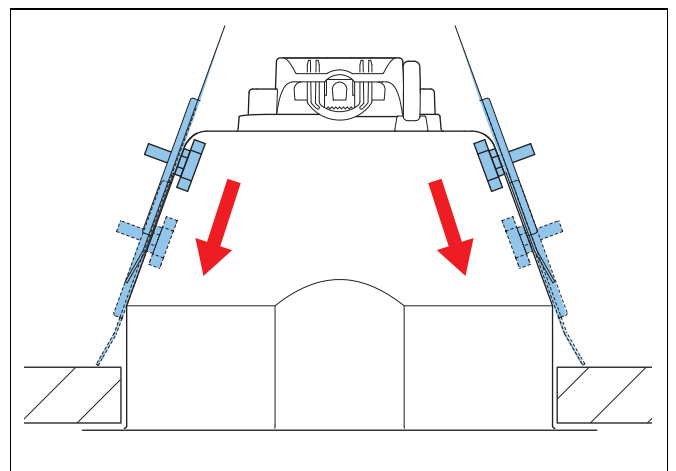


Fig. 30

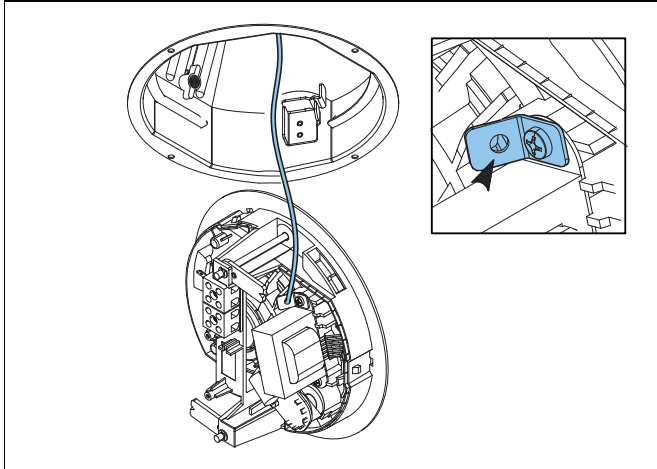


Fig. 31

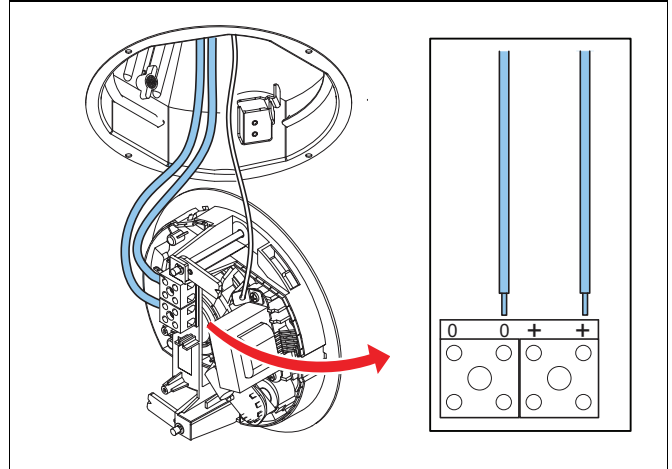


Fig. 32

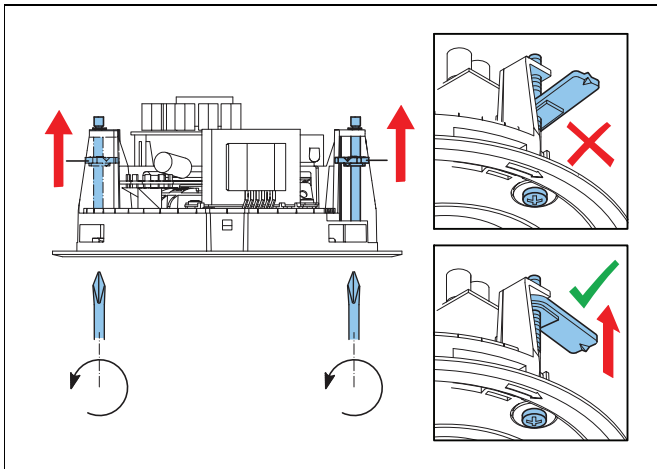


Fig. 33

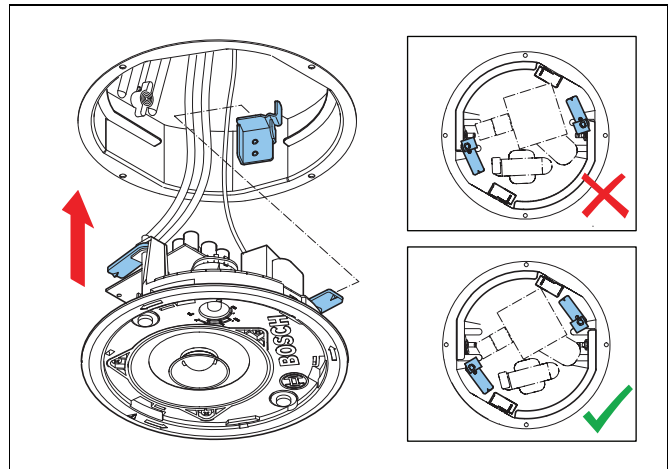


Fig. 34

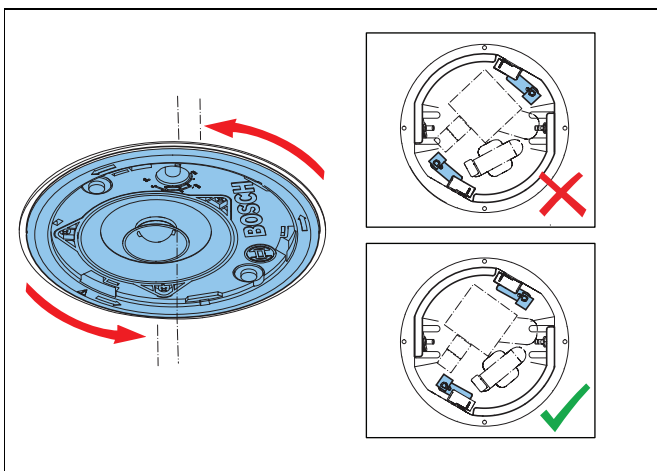


Fig. 35

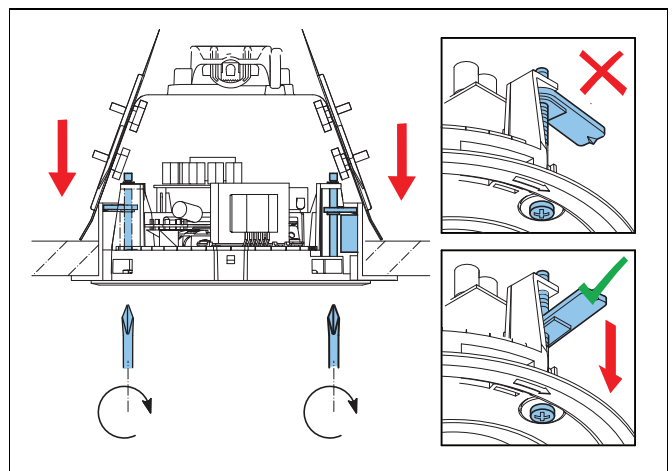
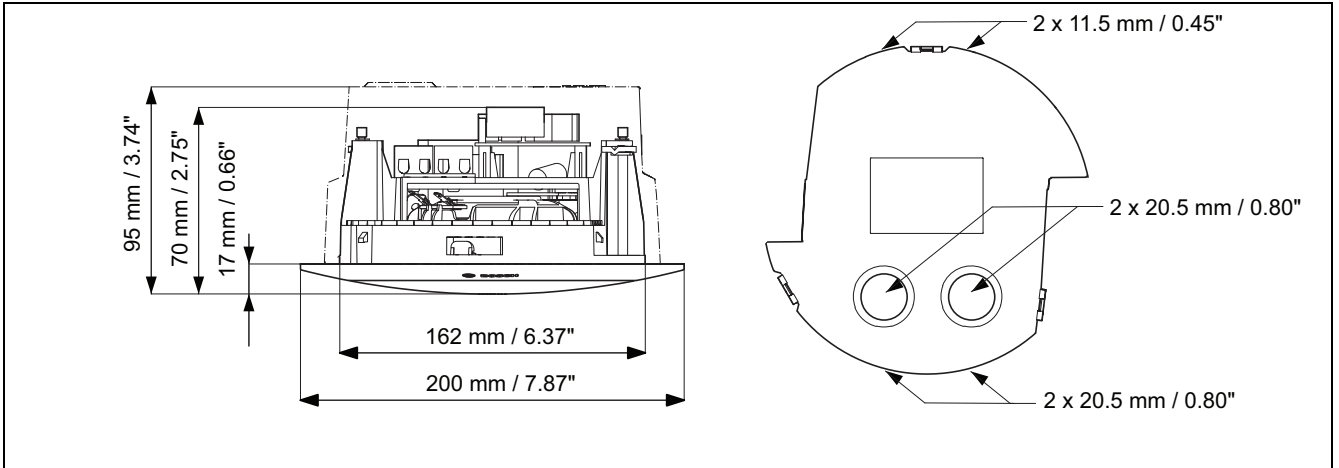
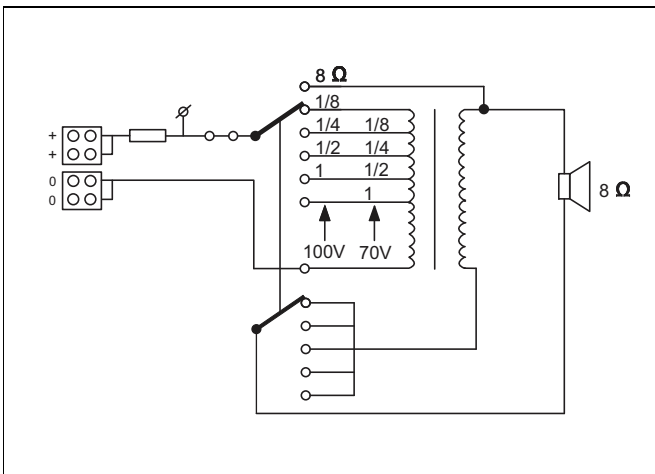


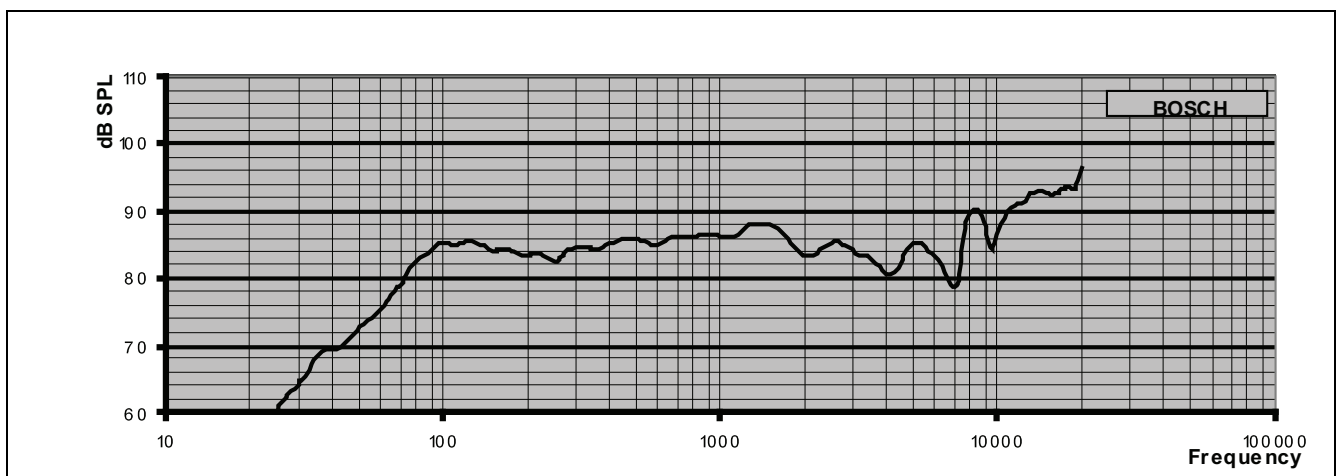
Fig. 36
Next steps: fig. 9-15



Dimensions



Circuit diagram



Frequency response

2 Technical specifications

Electrical*	LC4-UC06E	LC4-UC12E	LC4-UC24E
Description	Ceiling loudspeaker	Ceiling loudspeaker	Ceiling loudspeaker
Maximum power	9 W	18 W	36 W
Rated power	6 W (6/3/1.5/0.75 W)	12 W (12/6/3/1.5 W)	24 W (24/12/6/3 W)
Sound pressure level at rated power / 1 W (1 kHz, 1 m)	96 / 88 dB	99 / 88 dB	102 / 88 dB
Opening angle at 1 kHz / 4 kHz (-6 dB)	180 / 180 degrees	180 / 180 degrees	180 / 180 degrees
Effective frequency range (-10 dB)	65 Hz to 20 kHz	65 Hz to 20 kHz	65 Hz to 20 kHz
Rated voltage	6.93 / 70 / 100 V	9.8 / 70 / 100 V	13.9 / 70 / 100 V
Rated impedance	8 / 835 / 1667 Ohm	8 / 418 / 833 Ohm	8 / 208 / 417 Ohm
Connector	4-way screw terminal block	4-way screw terminal block	4-way screw terminal block

*Technical performance according to IEC 60268-5

Mechanical	LC4-UC06E	LC4-UC12E	LC4-UC24E
Diameter	200 mm (7.87 in)	200 mm (7.87 in)	200 mm (7.87 in)
Max. depth	53 mm (2.08 in)	53 mm (2.08 in)	53 mm (2.08 in)
Weight	0.80 kg (1.77 lb)	0.84 kg (1.86 lb)	0.99 kg (2.18 lb)
Color			
- loudspeaker unit	black (RAL 9011)	black (RAL 9011)	black (RAL 9011)
- front grille	white (RAL 9003)	white (RAL 9003)	white (RAL 9003)
Material			
- loudspeaker unit	ABS (V 0)	ABS (V 0)	ABS (V 0)
- front grille	steel mesh with ABS (V 0) rim	steel mesh with ABS (V 0) rim	steel mesh with ABS (V 0) rim

Mechanical	LC4-CBB	LC4-MFD
Description	back-box	metal fire-dome
Diameter	160 mm (6.29 in)	197 / 175 mm (7.75 / 6.88 in)
Max. depth	78 mm (3.07 in)	134.5 mm (5.29 in)
Mounting cut-out	not applicable	178 mm (7.00 in)
Material	ABS (V 0)	ABS (V 0)
Weight	0.16 kg (0.35 lb)	0.80 kg (1.76 lb)
Color	black (RAL 9011)	flame red (RAL 3000)

Environmental

Operation temperature	-25 °C to +55 °C (-13 °F to +131 °F)
Storage temperature	-40 °C to +70 °C (-40 °F to +158 °F)
Relative humidity	< 95%

Certification and approvals

Safety

Water and dust protected*

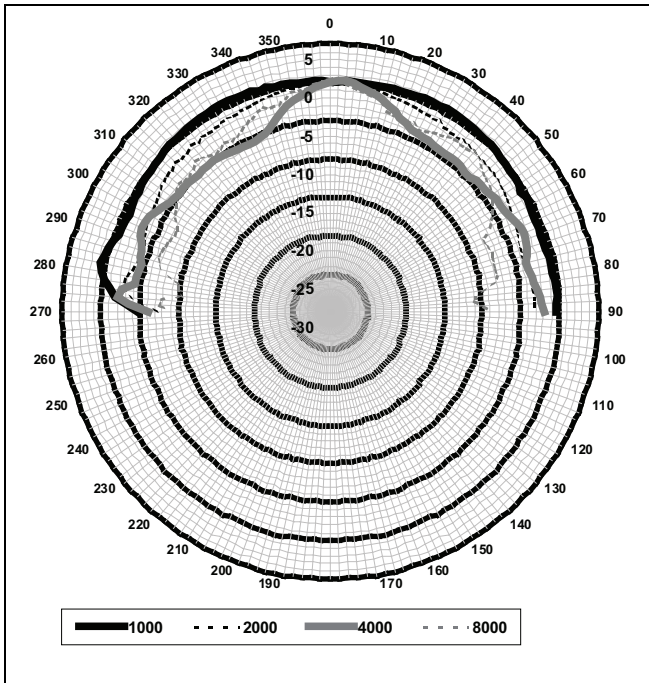
EVAC compliant*

according to EN 60065

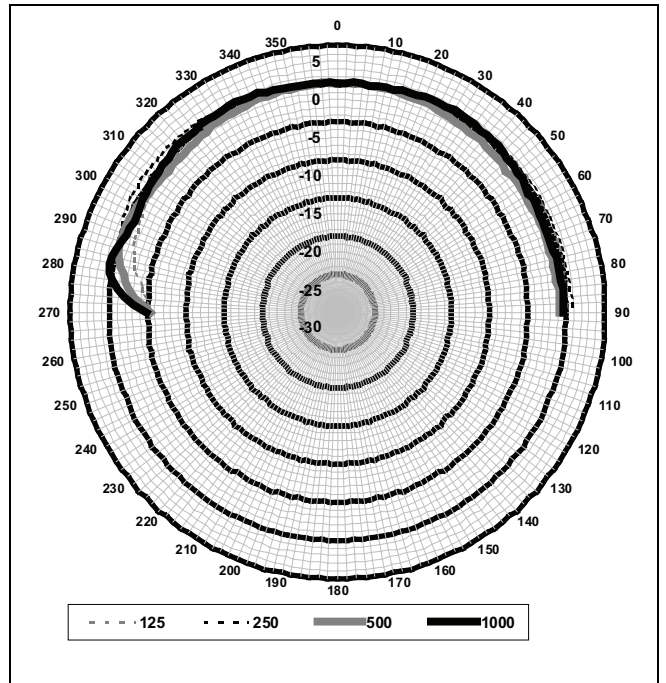
according to EN 60529 IP 21

according to BS 5839 part 8, EN 54-24

* with LC4-CBB Back-box or
LC4-MFD Fire-dome



Horizontal/Vertical polar diagram.
Normalized at 0-degrees axis.



Horizontal/Vertical polar diagram.
Normalized at 0-degrees axis.

Bosch Security Systems B.V.

Kapittelweg 10
4800 RA Breda
The Netherlands

www.boschsecurity.com

© Bosch Security Systems B.V., 2011