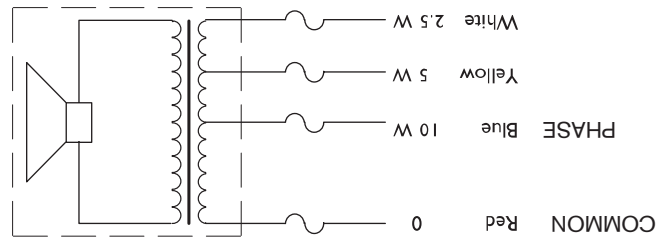
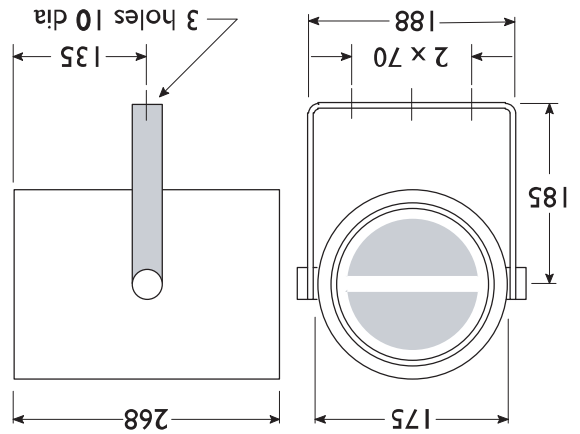


Circuit diagram

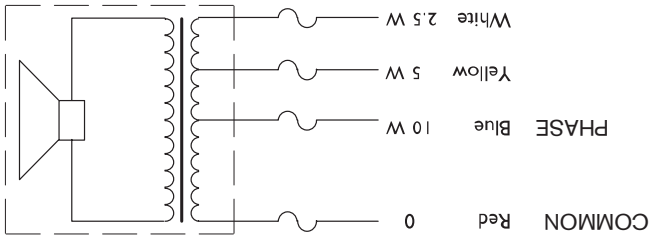


Dimensions (in mm)

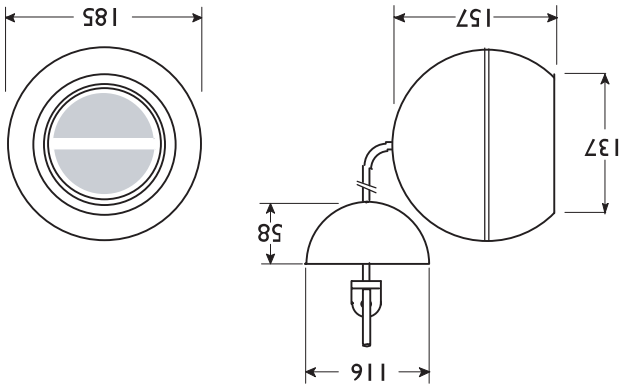


LBC 3094/15

Circuit diagram



Dimensions (in mm)



LBC 3095/15

Technical performance data acc. to IEC 268-5

	LBC 3094/15	LBC 3095/15
Max. power	15W	15W
Rated power (PHC)	10 W (10 - 5 - 2.5 W)	10 W (10 - 5 - 2.5 W)
Sound pressure level at 10 W/1 W (at 1 kHz, 1 m)	102 dB/92 dB (SPL)	99 dB/89 dB (SPL)
Effective frequency range (-10 dB)	140 Hz to 13 kHz	130 Hz to 20 kHz
Opening angle (at 1 kHz/4 kHz, -6 dB)	160°/70°	180°/90°
Rated voltage	100 V	100 V
Rated impedance	1000 Ω	1000 Ω
Ambient temperature range	-25 to +55 °C	-25 to +55 °C
Safety	acc. to EN 60065	acc. to EN 60065
Water protection	acc. to EN 60529 IPx3	acc. to EN 60529 IPx3
Connection		
cable length	4-wire 2 m	4-wire 5 m
Dimensions		
dia.	175 mm	185 mm
max. length	268 mm	157 mm
Colour	off-white (RAL 9001)	off-white (RAL 9001)
Weight	2.5 kg	1.6 kg

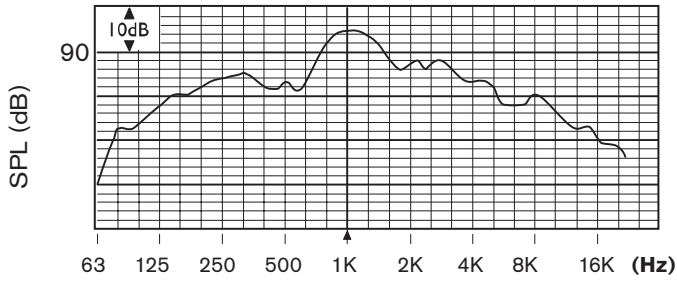
Sound Projector



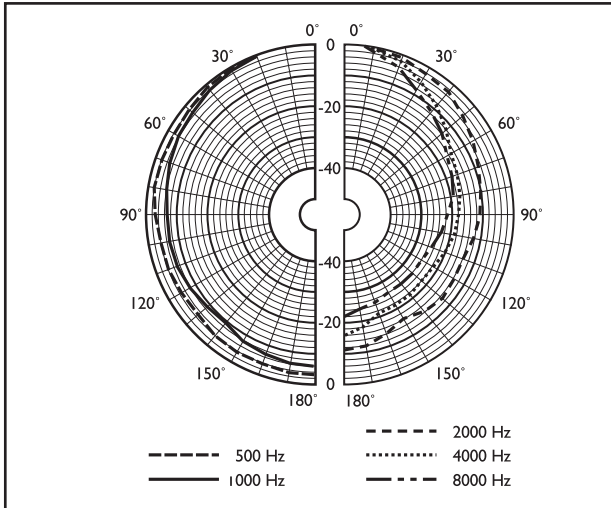
Security Systems

EN | Instructions for use
LBC 3094/15
LBC 3095/15

LBC 3094/15

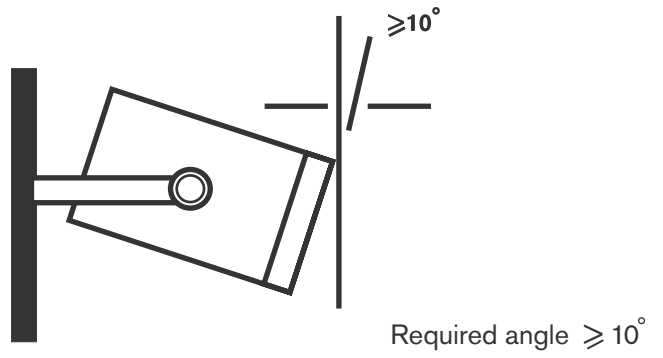


Frequency response

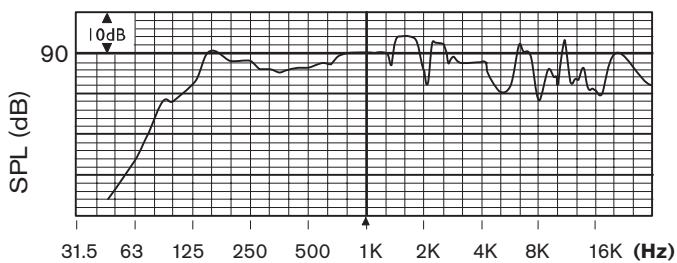


Polar diagram (measured with pink noise)

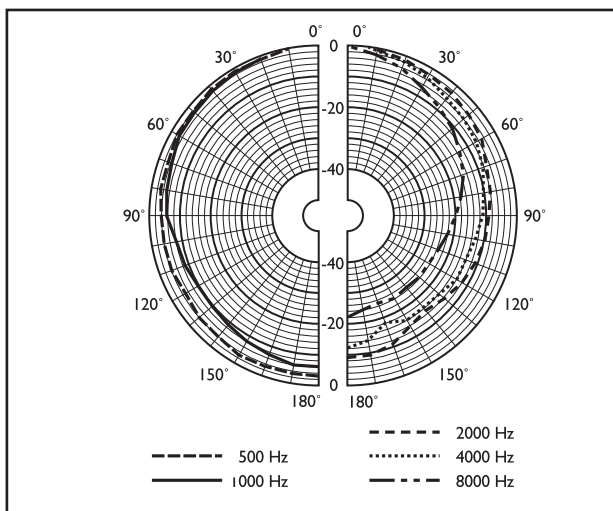
1



LBC 3095/15

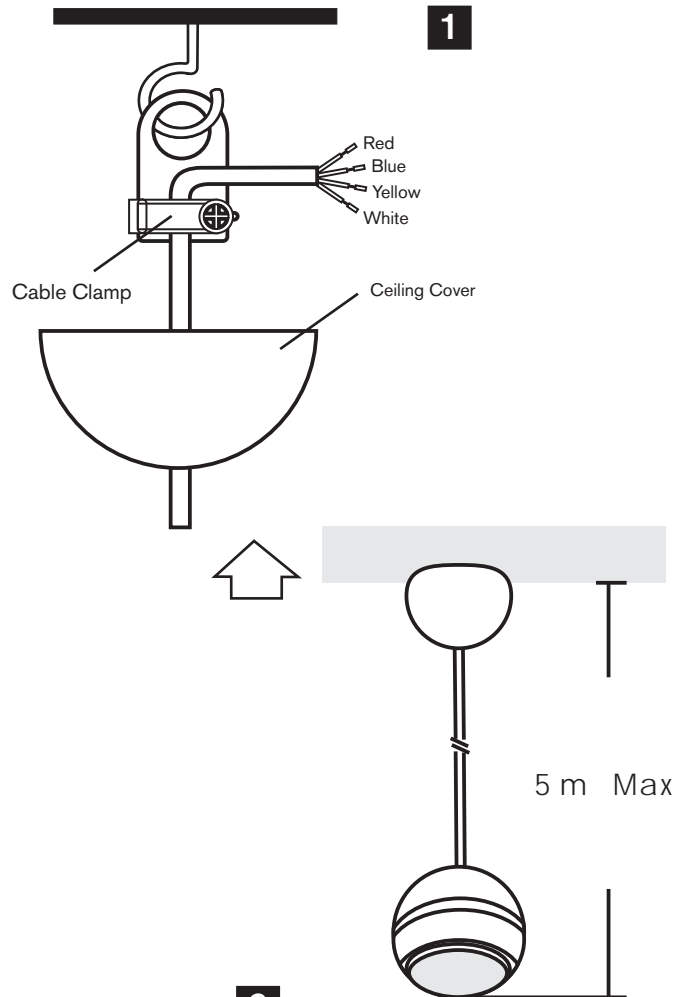


Frequency response



Polar diagram (measured with pink noise)

1



5 m Max