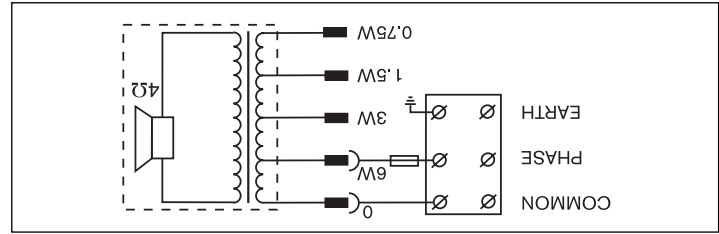


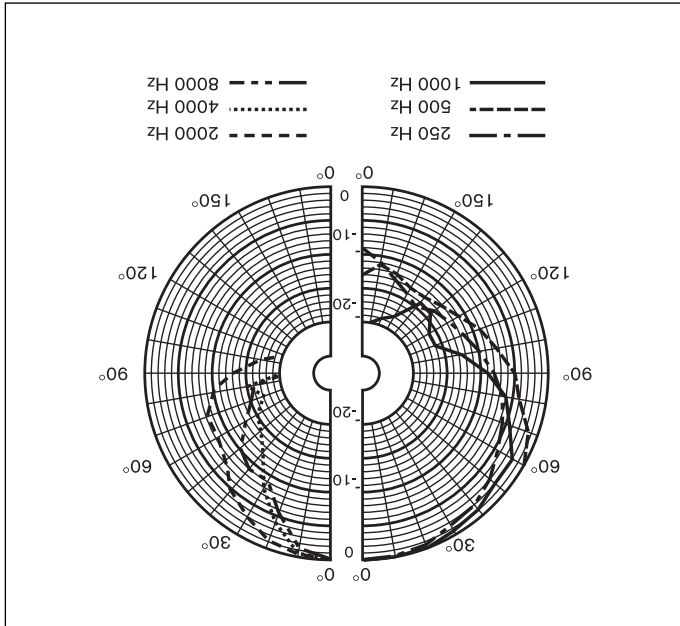
Circuit diagram



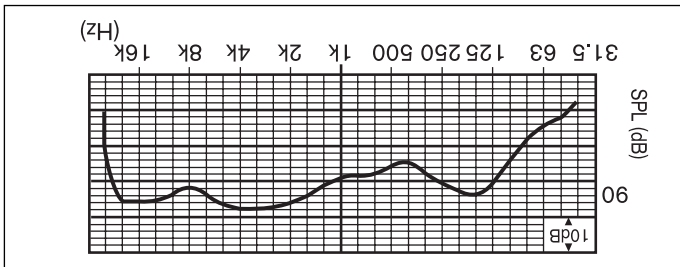
TECHNICAL PERFORMANCE DATA ACC. TO IEC 268-5

LBC 3086/41
 9 W
 Rated power (PHC)
 Sound pressure level at 6 W/1 m
 (at 1 kHz, 1 m)
 Effective frequency range (-10 dB)
 Opening angle
 (at 1 kHz/4 kHz, -6 dB)
 Rated voltage
 100 V
 Rated impedance
 -25 to +55 °C (-13 to 131 °F)
 Safety
 acc. to EN 60065
 3-pole screw connector
 Dimensions (dia. x max. depth)
 216 x 70 mm (8.5 x 2.8 in)
 Mounting cut-out dia.
 196 mm (7.7 in)
 White (RAL 9010)
 990 g (2.2 lb)
LBC 3081/02
 157 x 70 mm (6.2 x 2.8 in)
 Flame Red (RAL 3000)
 360 g (0.8 lb)

Polar diagram



Frequency response

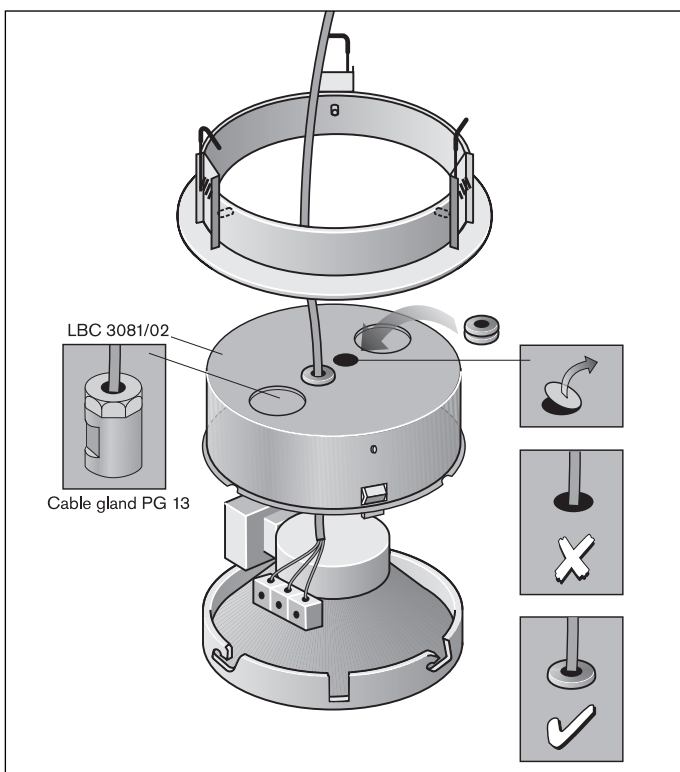


Loudspeakers

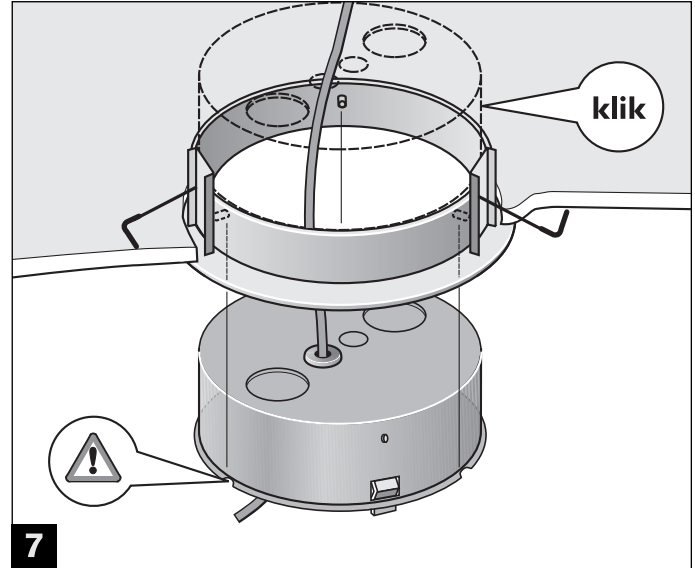
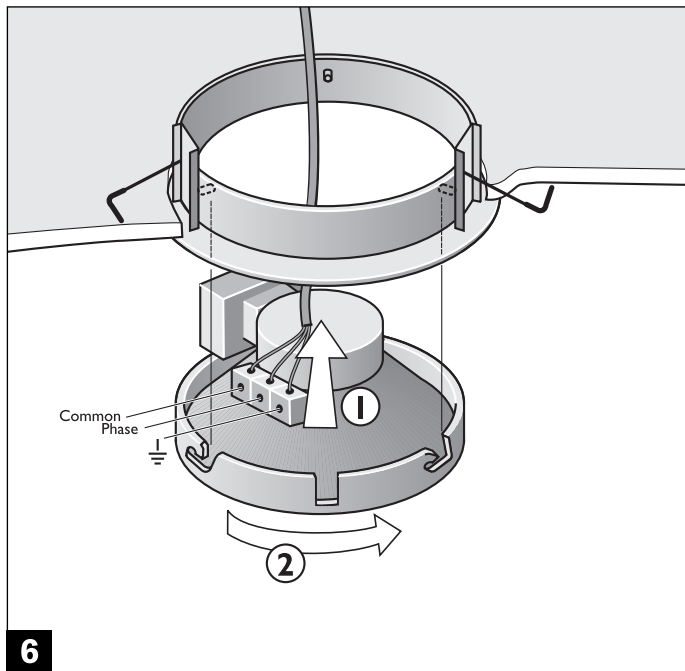
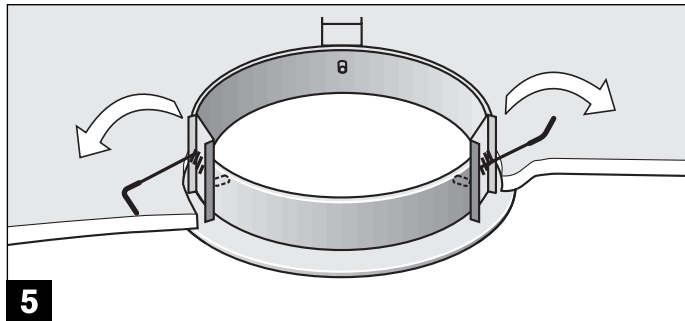
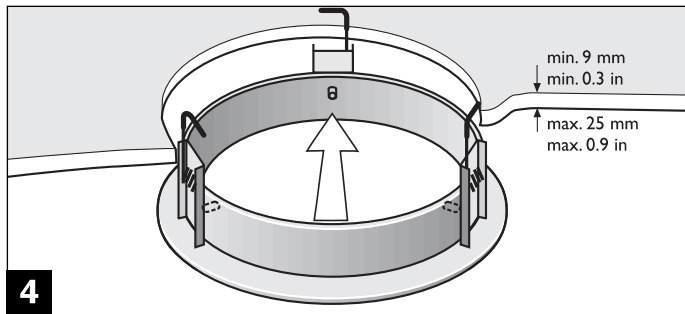
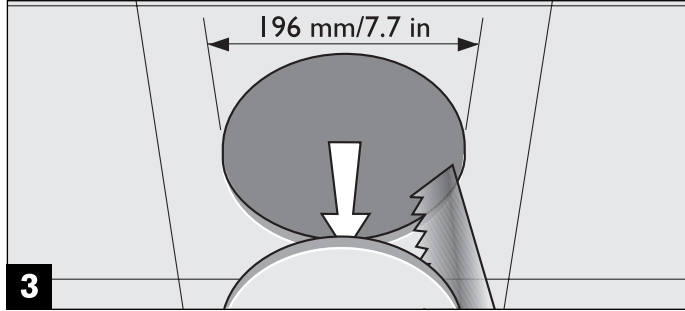
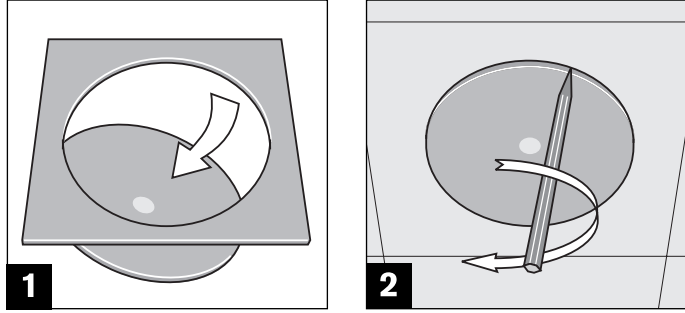


Security Systems

EN | Instructions for use
 LBC 3086/41



Mounting



Connection

