

LBC 3011/x1 Panel Loudspeakers

www.boschsecurity.com



BOSCH
Invented for life



- ▶ High-quality speech and music reproduction
- ▶ Two-way system
- ▶ Simple power setting
- ▶ Flush-mounting in walls, ceilings, or furniture
- ▶ Surface-mounting and flush mounting boxes

The Bosch panel loudspeakers and matching mounting boxes are ideal for built-in sound installations in shops, department stores, schools, offices, hotels and restaurants. They are manufactured and finished to the same exacting standards as all Bosch public address systems and components, guaranteeing high quality, and compatibility throughout the range.

Functions

The 9 W (max. power) panel is equipped with a woofer and tweeter, enabling excellent quality speech and music reproduction. They are available with or without an integral volume control (LBC 3011/51 and LBC 3011/41, respectively). Nominal output power can be preset to full, half, or quarter-power radiation (in 3 dB steps) by connecting the 100 V line to the appropriate primary taps on the matching transformer via a 3-pole screw connector.

The off-white (RAL 9010) panels are injection-molded from self-extinguishing, high-impact ABS material (according to UL 94V0). They are finished with an attractive perforated metal grill.

The panel loudspeakers flush-mount into rectangular cutouts in cavity walls, ceilings, furniture or custom-made cabinets. The panels have provision on the rear side for mounting an optional line/loudspeaker supervision board.

The loudspeaker has built-in protection to ensure that, in the event of a fire, damage to the loudspeaker does not result in failure of the circuit to which it is connected. In this way, system integrity is maintained, ensuring loudspeakers in other areas can still be used to inform people of the situation. The loudspeaker has a ceramic terminal block, thermal fuse, and heat-resistant, high-temperature wiring.

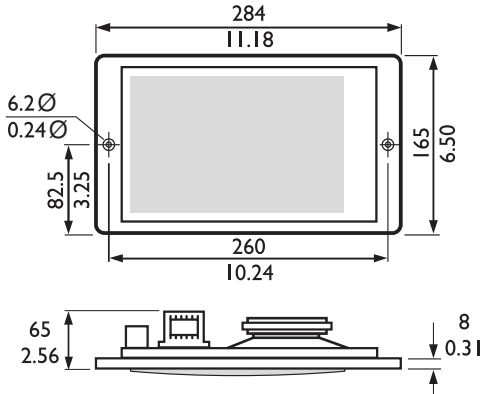
Certifications and Approvals

Voice alarm loudspeakers are specifically designed for use in buildings, where performance of systems for verbal evacuation announcements is governed by regulations. The LBC 3011/x1 is designed for use in voice alarm systems.

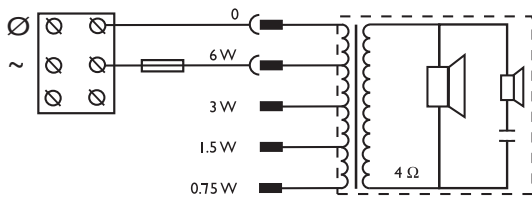
Safety	acc. to EN 60065
Emergency	acc. to BS 5839-8
Self-extinguishing	acc. to UL 94 V0

Installation/Configuration Notes

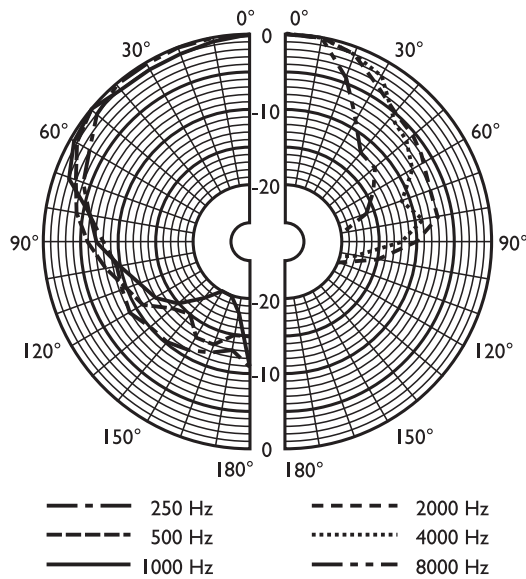
LBC 3011/41



Dimensions in mm (in)

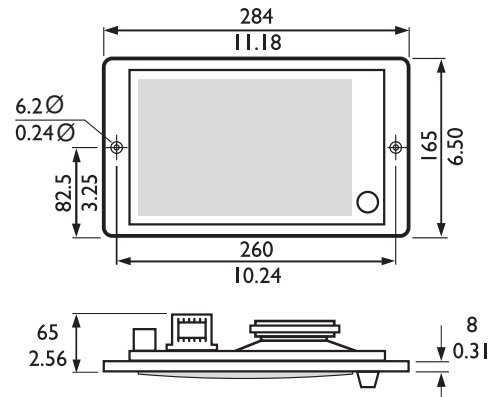


Circuit diagram

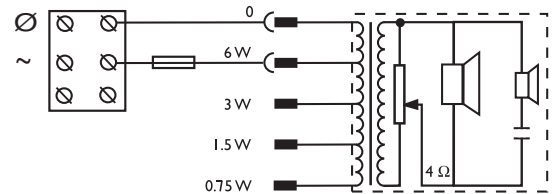


Polar diagram horizontal (measured with pink noise)

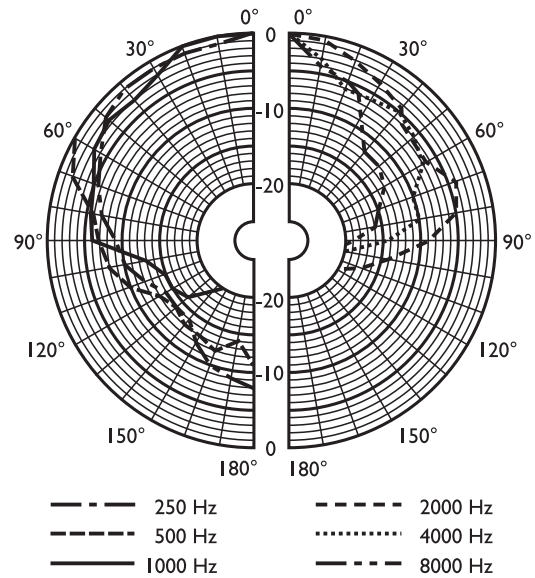
LBC 3011/51



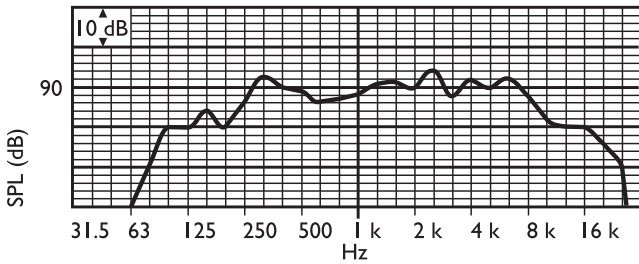
Dimensions in mm (inch)



Circuit diagram



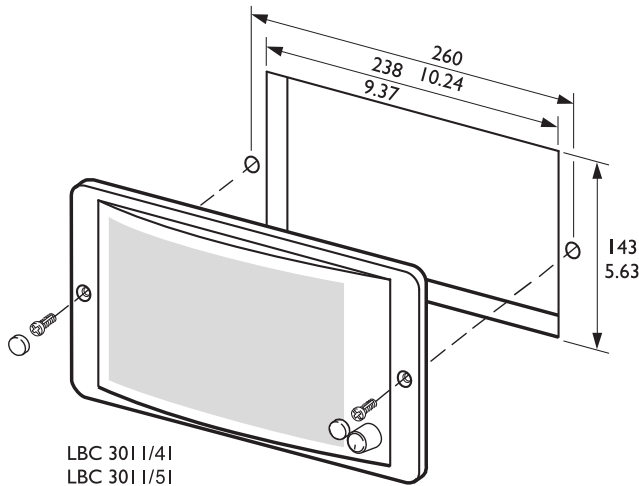
Polar diagram vertical (measured with pink noise)



Frequency response

	125 Hz	250 Hz	500 Hz	1 kHz	2 kHz	4 kHz	8 kHz
SPL 1.1	85	90	88	88	92	90	89
SPL max.	93	98	96	96	100	98	97
Q-factor	5.1	3.9	2.1	3.7	7.4	9.1	31.6
Efficiency	0.08	0.32	0.37	0.21	0.27	0.14	0.03
H. angle	180	180	160	160	115	85	45
V. angle	180	180	160	180	85	100	50

Acoustical performance specified per octave

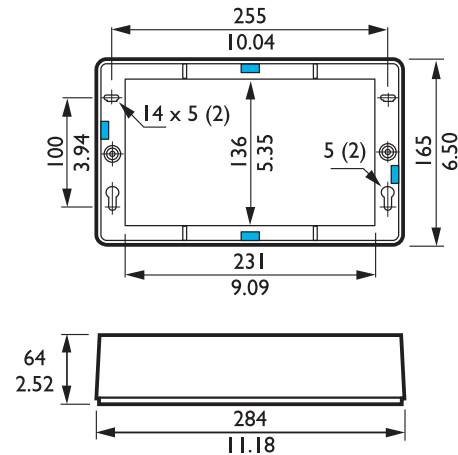


LBC 3011/41
LBC 3011/51

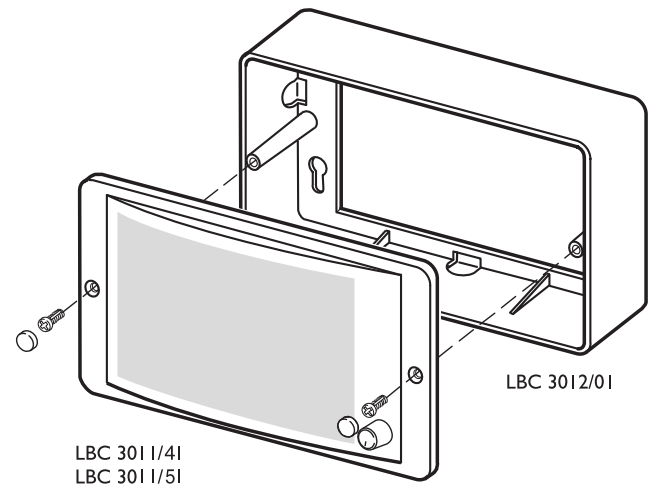
Recessed mounting in walls and ceilings. Dimensions in mm (inch)

Two mounting boxes are available for surface mounting onto hard surfaces or flush-mounting into non-cavity walls. The LBC 3012/01 accommodates the panel loudspeaker for a self-contained unit for surface mounting.

LBC 3012/01 Mounting box for surface mounting

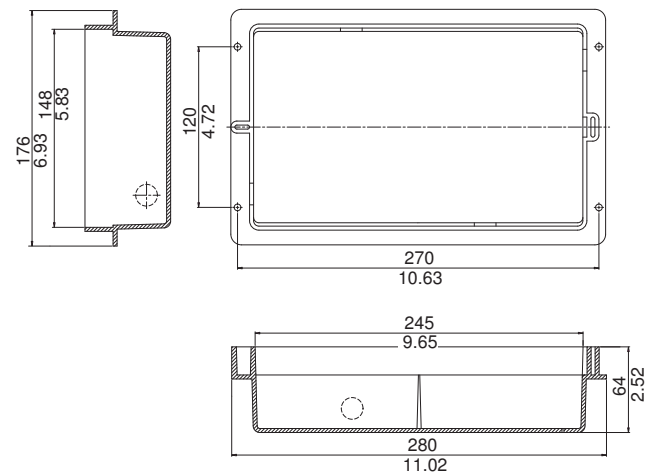


Dimensions in mm (in) with knockout boxes

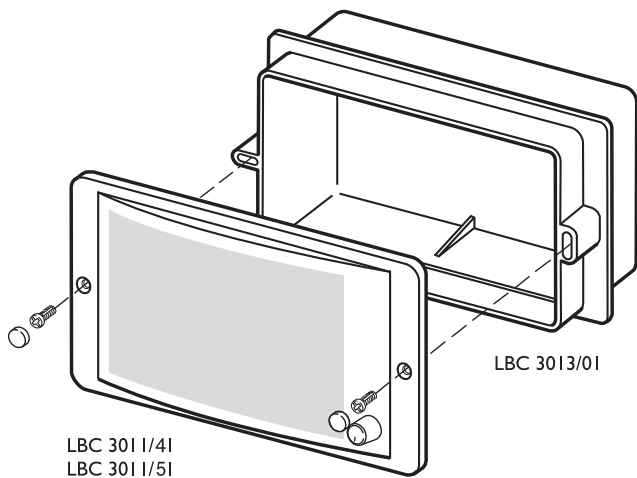


Surface mounting

LBC 3013/01 Mounting box for flush mounting



Dimensions in mm (in)



Flush mounting

Technical Specifications

Electrical* LBC 3011/41 and LBC 3011/51

Max power	9 W
Rated power (PHC)	6 / 3 / 1.5 / 0.75 W
Sound pressure level at 6 W / 1 W (1 kHz, 1 m)	96 dB / 88 dB (SPL)
Effective frequency range (-10 dB)	75 Hz to 18 kHz
Opening angle	1 kHz / 4 kHz (-6 dB)
horizontal	160° / 85°
vertical	180° / 100°
Rated voltage	100 V
Rated impedance	1667 ohm
Connector	2-pole screw

* Technical performance data acc. to IEC 60268-5

Mechanical

Dimensions (H x W x D)	165 x 284 x 59.5 mm (6.49 x 11.18 x 2.34 inch)
Mounting cut-out (H x W)	143 x 238 mm (5.63 x 9.37 inch)
Weight	1.2 kg (2.64 lb)
Color	White (RAL 9010)
Speaker size	2" / 4"
Magnet weight	48 g / 150 g (1.7 oz / 5.3 oz)

Mechanical LBC 3012/01

Dimensions (H x W x D)	165 x 284 x 64 mm (6.49 x 11.18 x 2.52 inch)
Weight	238 g (8.40 oz)
Color	White (RAL 9010)

Mechanical LBC 3013/01

Dimensions (H x W x D)	176 x 280 x 64 mm (6.49 x 11.18 x 2.52 inch)
Weight	307 g (10.83 oz)
Color	White (RAL 9010)

Environmental

Operating temperature	-25 °C to +55 °C (-13 °F to +131 °F)
Storage temperature	-40 °C to +70 °C (-40 °F to +158 °F)
Relative humidity	<95%

Ordering Information

LBC 3011/41 Panel Loudspeaker without Volume Control

without Volume Control
Order number **LBC3011/41**

LBC 3011/51 Panel Loudspeaker with Volume Control

with Volume Control
Order number **LBC3011/51**

Accessories

LBC 3012/01 Surface Mounting Box

Surface Mounting Box
Order number **LBC3012/01**

LBC 3013/01 Flush Mounting Box

Flush Mounting Box
Order number **LBC3013/01**

Represented by:

Americas:

Bosch Communications Systems
12000 Portland Avenue South
Burnsville, Minnesota 55337, USA
Phone: +1-800-392-3497
Fax: +1-800-955-6831
audiosupport@us.bosch.com
www.boschsecurity.com

Europe, Middle East, Africa:

Bosch Security Systems B.V.
P.O. Box 80002
5600 JB Eindhoven, The Netherlands
Phone: + 31 40 2577 284
Fax: +31 40 2577 330
emea.securitysystems@bosch.com
www.boschsecurity.com

Asia-Pacific:

Robert Bosch (SEA) Pte Ltd
11 Bishan Street 21
Singapore 573943
Phone: +65 6571 2600
Fax: +65 6571 2698
apr.securitysystems@bosch.com
www.boschsecurity.com