

Volume controls/ Source selectors



Security Systems

en | Installation Instruction
LBC 14xx/10

BOSCH

TABLE OF CONTENTS

- 1. Wiring.....2
- 1.1 Volume controls.....2
- 1.2 Source selectors.....4

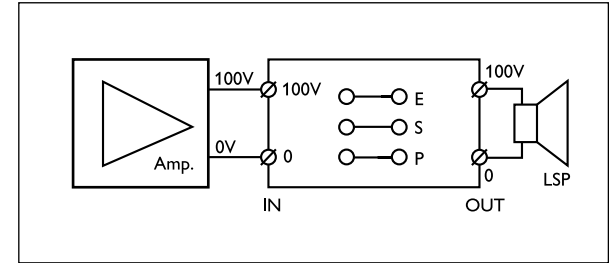
- 2. Installation.....5
- 2.1 MK type.....5
- 2.2 U40 type.....6
- 2.3 Japanese type.....7
- 2.4 MK-D/ E2 type.....8

- 3. Circuit Diagrams.....9
- 3.1 LBC 140x/10 (12W Volume controls).....9
- 3.2 LBC 141x/10 (36W Volume controls).....9
- 3.3 LBC 1420/10 (100W Volume controls)..10
- 3.4 LBC 143x/10 (Source selectors).....10

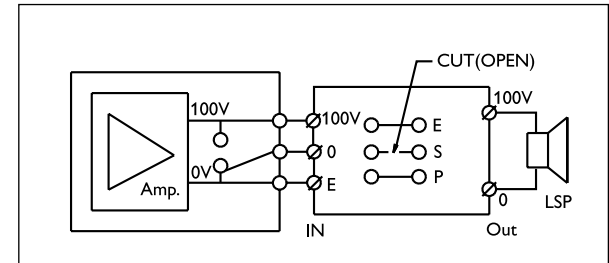
1. Wiring

1.1 Volume Control (all models)

(A) Standard System

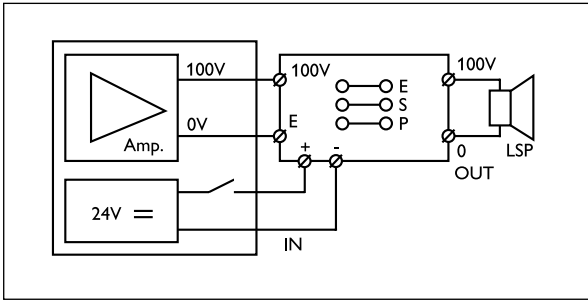


(B) 3-Wire System

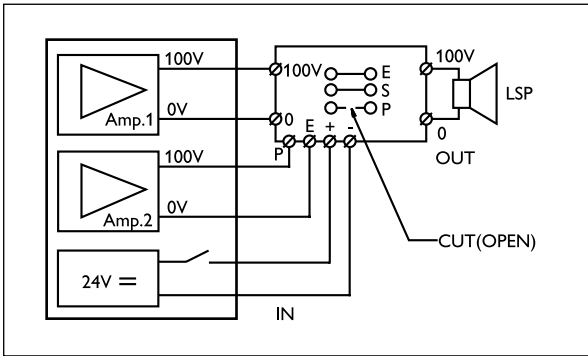


(C) 4-Wire System

Emergency message from same amplifier

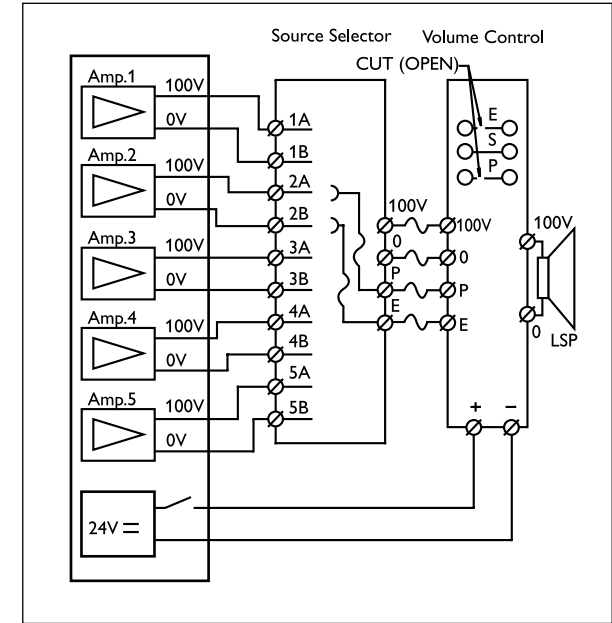


Emergency message from another amplifier



3

1.2 Source Selector (all models)

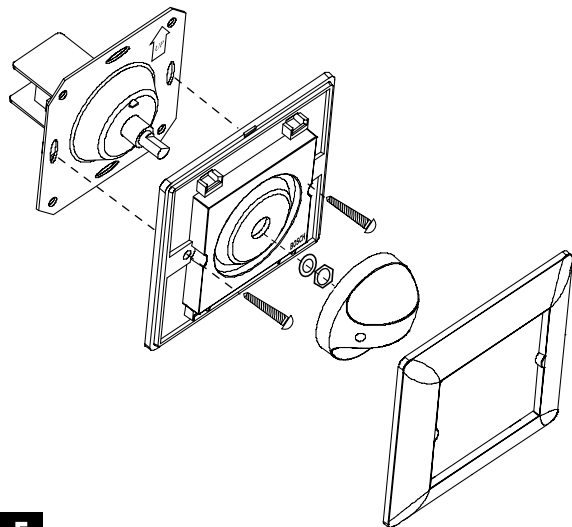
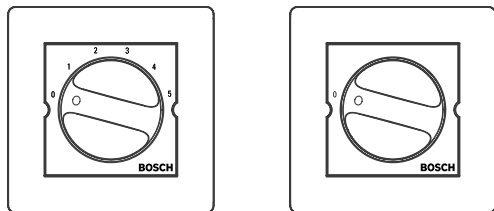


4

2. Installation

2.1 MK type

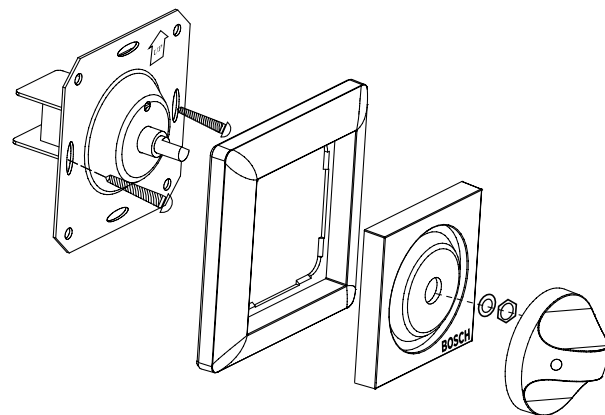
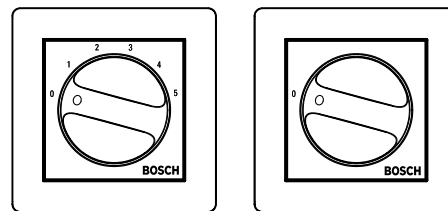
(LBC1400/10, LBC1410/10 & LBC1430/10)



5

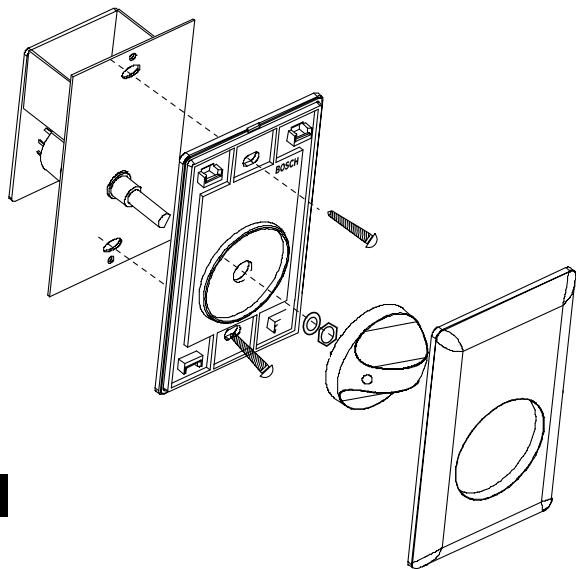
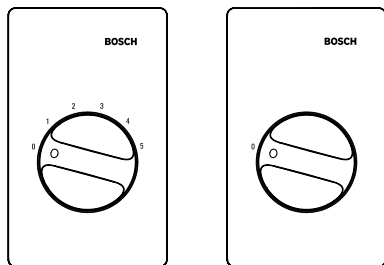
2.2 U40 type

(LBC1401/10, LBC1411/10 & LBC1431/10)

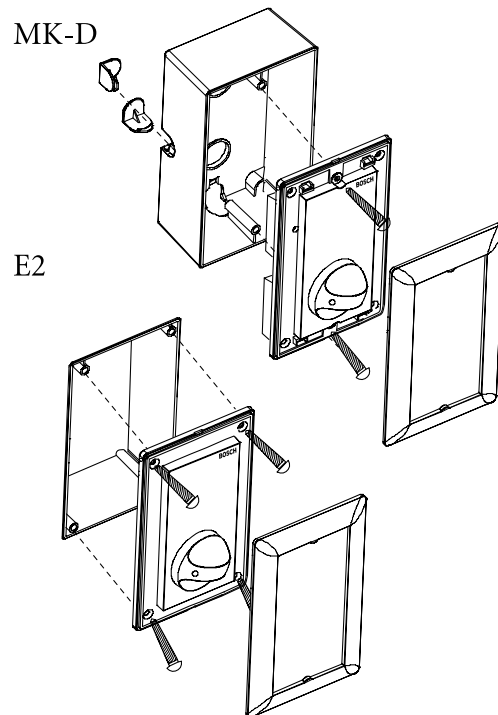
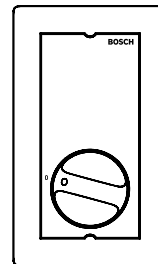


6

2.3 Japanese type
(LBC1402/10, LBC1412/10 & LBC1434/10)

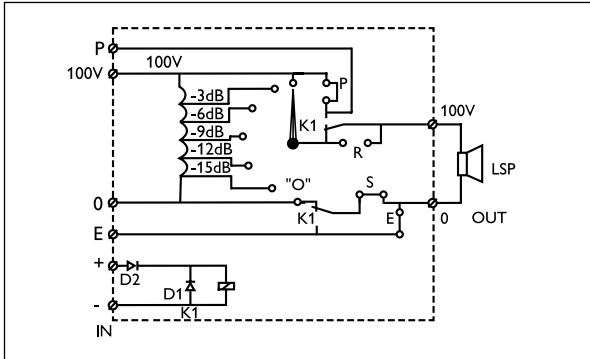


2.4 MK-D/ E2 type
(LBC1420/10)

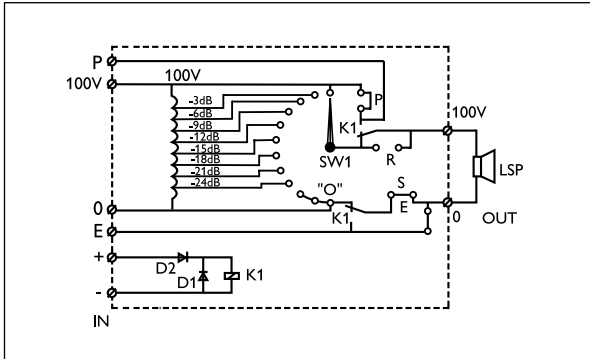


3. Circuit Diagrams

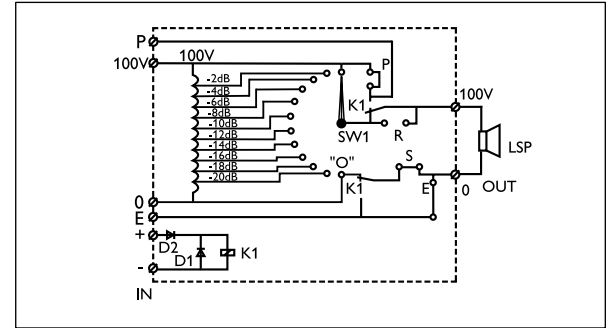
3.1 LBC 140x/10 (12W Volume controls)



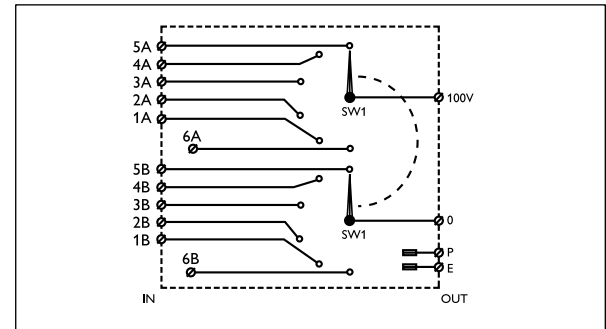
3.2 LBC 141x/10 (36W Volume controls)



3.3 LBC 1420/10 (100W Volume control)



3.4 LBC 143x/10 (Source selectors)



3938 988 04311 03-19
©2003 Bosch Security Systems

BOSCH