



BOSCH

Invented for life

LBC 14x2/x0 Japanese Volume Controls and LBC 1434/10 Program Selector



- ▶ **12 W and 36 W versions**
- ▶ **Available in power-save or failsafe versions**
- ▶ **Built-in 24 VDC override relay**
- ▶ **Suitable for 3-wire and 4-wire systems**
- ▶ **Program selector with up to five channels**
- ▶ **Complies with international installation and safety regulations**

Bosch introduces a full range of volume controls and program selectors to provide a complete public address solution.

The design and color are unobtrusive in any interior. Ease of installation, operation and reliability is optimized in the design.

Functions

Operation

Public address systems are often used for both announcements and background music distribution. Volume controls can be used to adjust the level locally. In addition to volume control, program selectors can also be installed to select five different programs locally. In the event of an (emergency) announcement, the built-in relay ensures that the message is broadcast at a preset level, independent of the local volume setting.

The volume controls come in two versions according to power rating: 12 W and 36 W. The total load of the loudspeakers connected to a volume control may not exceed the rated power.

Each of the three versions is also available in two versions. One is a power-saving, 4-wire volume override (/10 models), where the override relay is activated during an emergency call. The other is a failsafe, 4-wire volume override (/20 models), where the override relay is deactivated during an emergency call.

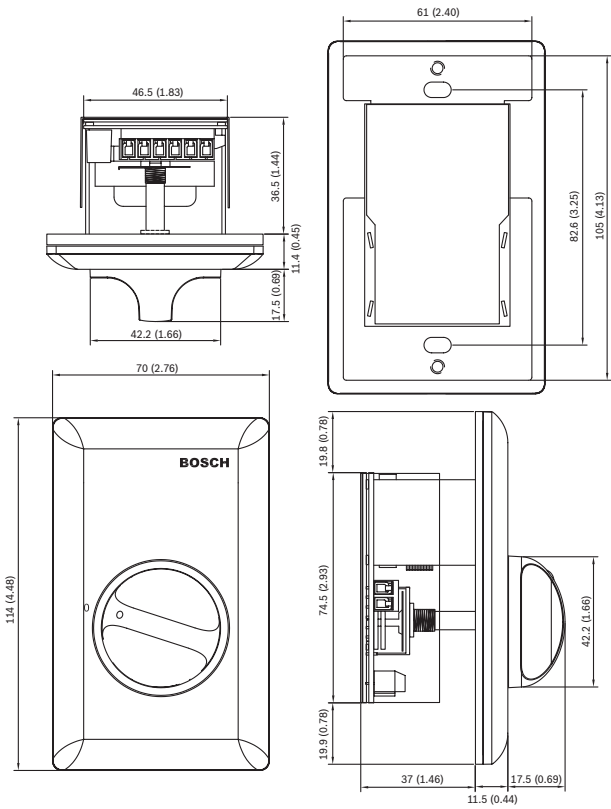
Interconnections

Screw connections

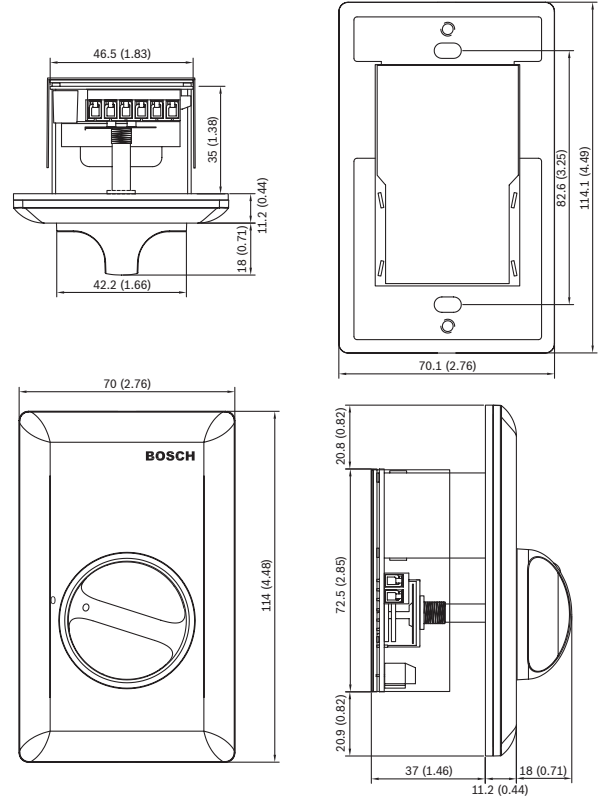
Certifications and Approvals

Region	Certification
Europe	CE LBC 14xx/10 LBC 14xx/20
Safety	acc. to EN 60065
Self-extinguishing	acc. to UL 94 V0

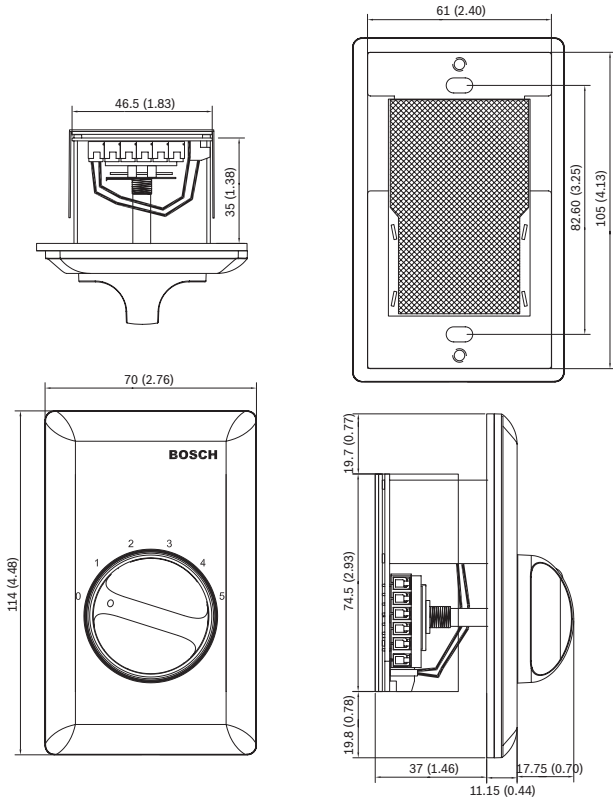
Installation/Configuration Notes



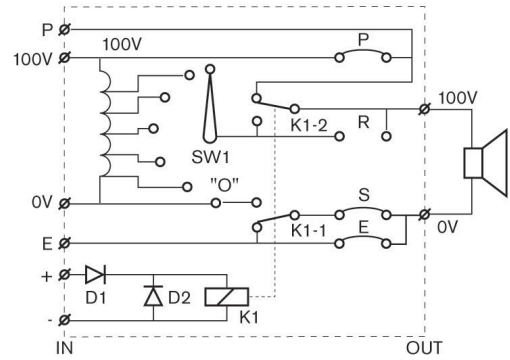
LBC 1402/10 and LBC 1402/20 dimensions in mm



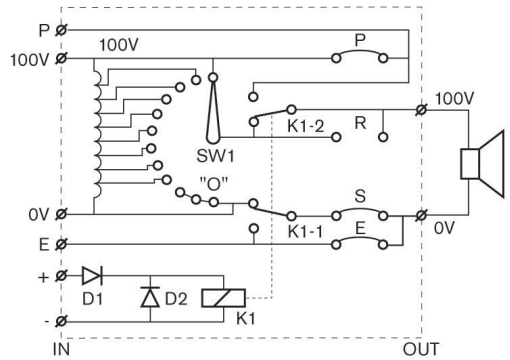
LBC 1412/10 and LBC 1412/20 dimensions in mm



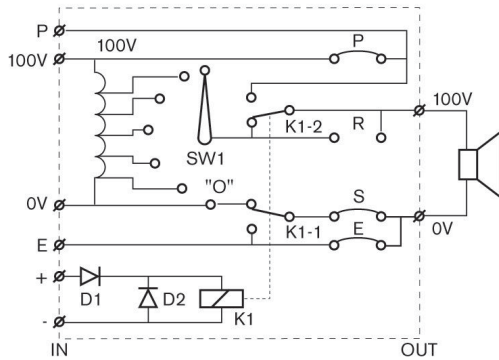
LBC 1434/10 dimensions in mm



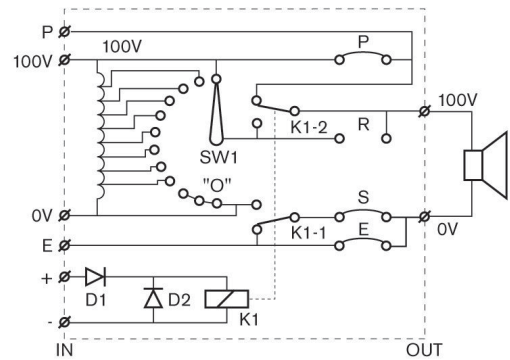
LBC 1402/20 circuit diagram



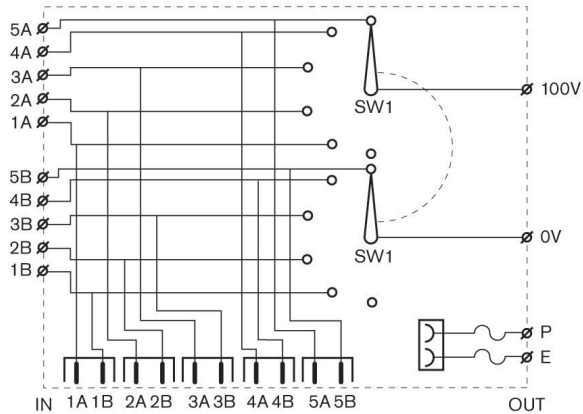
LBC 1412/10 circuit diagram



LBC 1402/10 circuit diagram



LBC 1412/20 circuit diagram



LBC 1434/10 circuit diagram

Technical Specifications

Electrical

LBC 1402/10 and /20

Rated power	12 W
Input voltage	100 V
Attenuation steps	5 x 3 dB + off
Frequency response	50 Hz to 20 kHz (-1 dB)
THD	<0.5%
Current consumption	20 mA at 24 VDC

LBC 1412/10 and /20

Rated power	36 W
Input voltage	100 V
Attenuation steps	8 x 3 dB + off
Frequency response	50 Hz to 20 kHz (-1 dB)
THD	<0.5%
Current consumption	20 mA at 24 VDC

LBC 1434/10

Rated power	100 W
Input voltage	100 V
Number of programs	5 programs + off

Mechanical

LBC 1402/10 and /20

Dimensions (W x H x D)	70 x 114 x 48.2 mm
Weight	210 g
Color	Off-white (RAL 9010)

LBC 1412/10 and /20

Dimensions (W x H x D)	70 x 114 x 48.2 mm
------------------------	--------------------

LBC 1402/10 and /20

Weight	260 g
Color	Off-white (RAL 9010)

LBC 1434/10

Dimensions (W x H x D)	70 x 114 x 48.2 mm
Weight	200 g
Color	Off-white (RAL 9010)

Environmental

Operating temperature	-10 °C to +55 °C (14 °F to +131 °F)
Storage temperature	-40 °C to +70 °C (-40 °F to +158 °F)
Relative humidity	<95%

Ordering Information

LBC 1402/10 Volume Control 12 W, Japanese, power-save version	LBC1402/10
LBC 1402/20 Volume Control 12 W, Japanese, failsafe version	LBC1402/20
LBC 1412/10 Volume Control 36 W, Japanese, power-save version	LBC1412/10
LBC 1412/20 Volume Control 36 W, Japanese, failsafe version	LBC1412/20
LBC 1434/10 Program Selector 5-channel, Japanese	LBC1434/10

Americas:
Bosch Communications Systems
12000 Portland Avenue South
Burnsville, Minnesota 55337, USA
Phone: +1-800-392-3497
Fax: +1-800-955-6831
audiosupport@us.bosch.com
www.boschsecurity.com

Europe, Middle East, Africa:
Bosch Security Systems B.V.
P.O. Box 80002
5600 JB Eindhoven, The Netherlands
Phone: + 31 40 2577 284
Fax: +31 40 2577 330
emea.securitysystems@bosch.com
www.boschsecurity.com

Asia-Pacific:
Robert Bosch (SEA) Pte Ltd
11 Bishan Street 21
Singapore 573943
Phone: +65 6571 2600
Fax: +65 6571 2698
apr.securitysystems@bosch.com
www.boschsecurity.com

Represented by