

LB1-BW12-x Bidirectional Cabinet Loudspeakers

www.boschsecurity.com



BOSCH
Invented for life



- ▶ Good speech intelligibility and background music reproduction
- ▶ Wedge shaped design
- ▶ Available in black or white
- ▶ MDF construction
- ▶ Complies with international installation and safety regulations

The LB1-BW12-x is a 12 W, cost-effective, bidirectional loudspeaker for indoor use. The baffle design creates a wide opening angle, making this loudspeaker very suitable for use in long corridors. Keyholes at the rear provide quick and easy wall mounting. The cabinet is available in black or white.

Functions

The robust, solid MDF (Medium Density Fiber board) enclosures are covered with a durable, easy-to-clean vinyl in a choice of white or black. The ABS fronts are covered with fine woven cloth in matching color.

The cabinets have two dual cone loudspeaker drivers, mounted on an angled baffle, providing a wide opening angle. This model is intended for use in long corridors, such as in shopping arcades.

Certifications and Approvals

All Bosch loudspeakers are designed to withstand operating at their rated power for 100 hours in accordance with IEC 268-5 Power Handling Capacity (PHC) standards. Bosch has also developed the Simulated Acoustical Feedback Exposure (SAFE) test

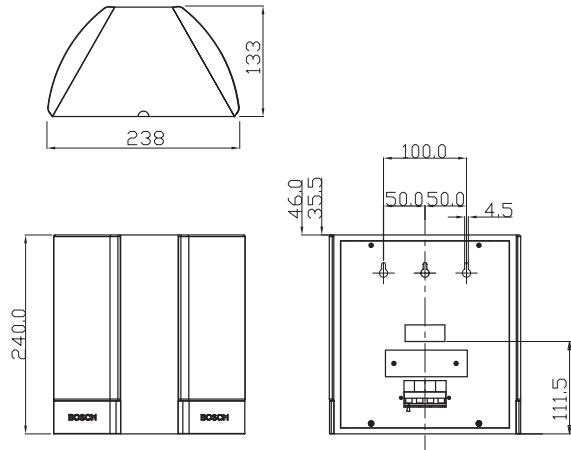
to demonstrate that they can withstand two times their rated power for short durations. This ensures extra reliability under extreme conditions, leading to higher customer satisfaction, longer operating life, and much less chance of failure or performance deterioration.

Safety

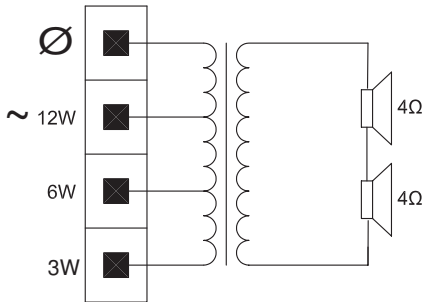
acc. to EN 60065

Installation/Configuration Notes

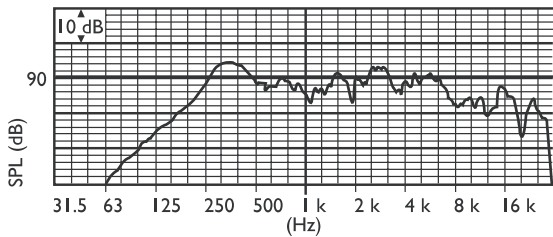
Three keyholes in the rear panel provide easy and quick wall mounting. A convenient, easy-to-use, four-pole push-in terminal block is present on the rear panel for on-site wiring. This terminal block has provision for power tapping on the 100-volt, matching transformer in the cabinet. It allows selection of nominal full-power, half-power or quarter-power radiation (in 3 dB steps).



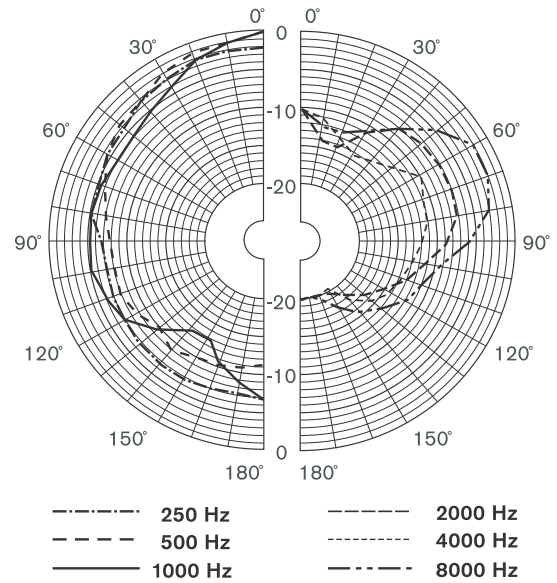
Dimensions in mm



Circuit diagram



Frequency response



Polar diagram (measured with pink noise)

Technical Specifications

Electrical*

Maximum power	18 W
Rated power	12 / 6 / 3 W
Sound pressure level at 12 W / 1 W (1 kHz, 1 m)	97 / 86 dB (SPL)
Effective frequency range (-10 dB)	140 Hz to 20 kHz
Opening angle at 1 kHz / 4 kHz (-6 dB)	270° / 165°
Rated input voltage	100 V
Rated impedance	833 ohm
Connector	4-pole push-in terminal block

* Technical performance data acc. to IEC 60268-5

Mechanical

Dimensions (H x W x D)	240 x 238 x 133 mm (9.4 x 9.3 x 5.24 in)
Weight	1.5 kg (3.3 lb)
Color	Black (D) or white (L)
cabinet / cloth (D)	Matches RAL 9004 / RAL 9004
cabinet / cloth (L)	Matches RAL 9010 / RAL 7044

Environmental

Operating temperature	-25 °C to +55 °C (-13 °F to +131 °F)
Storage temperature	-40 °C to +70 °C (-40 °F to +158 °F)
Relative humidity	<95%

Ordering Information

LB1-BW12-D Bi-Directional Cabinet Loudspeaker

12 W, black

Order number **LB1-BW12-D**

LB1-BW12-L Bi-Directional Cabinet Loudspeaker

12 W, white

Order number **LB1-BW12-L**

Represented by:

Americas:

Bosch Communications Systems
12000 Portland Avenue South
Burnsville, Minnesota 55337, USA
Phone: +1-800-392-3497
Fax: +1-800-955-6831
audiosupport@us.bosch.com
www.boschsecurity.com

Europe, Middle East, Africa:

Bosch Security Systems B.V.
P.O. Box 80002
5600 JB Eindhoven, The Netherlands
Phone: + 31 40 2577 284
Fax: +31 40 2577 330
emea.securitysystems@bosch.com
www.boschsecurity.com

Asia-Pacific:

Robert Bosch (SEA) Pte Ltd
11 Bishan Street 21
Singapore 573943
Phone: +65 6571 2600
Fax: +65 6571 2698
apr.securitysystems@bosch.com
www.boschsecurity.com