

EN
 Instructions for use
 LB1-BW12-D
 LB1-BW12-L

Security Systems



Cabinet Loudspeaker

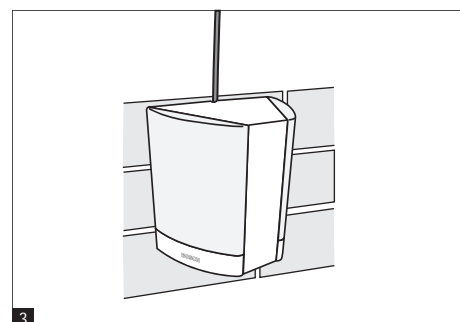
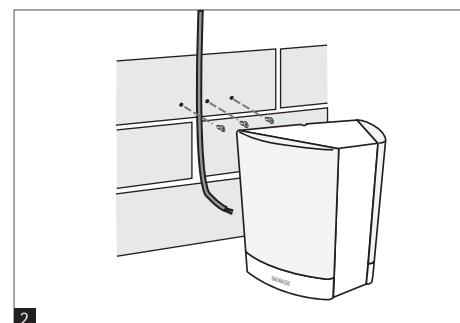
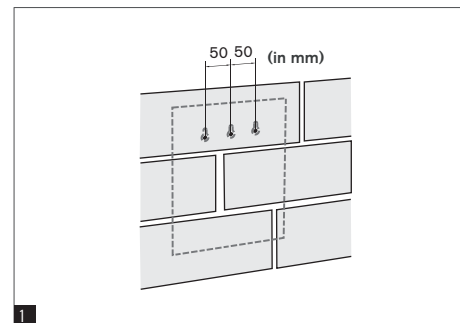
LB1-BW12-L 12W Bi-directional cabinet (white)
 LB1-BW12-D 12W Bi-directional cabinet (black)

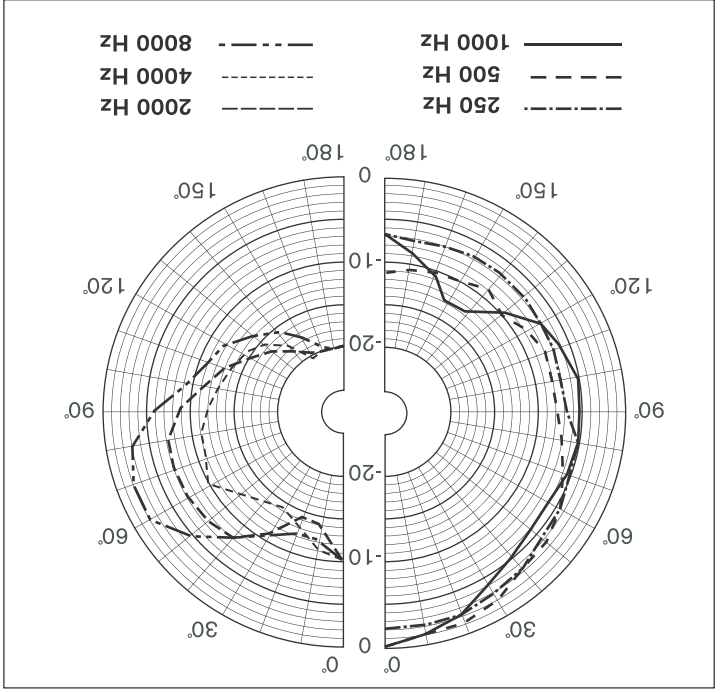
Type number overview:

Technical performance data acc. to IEC 60268-5

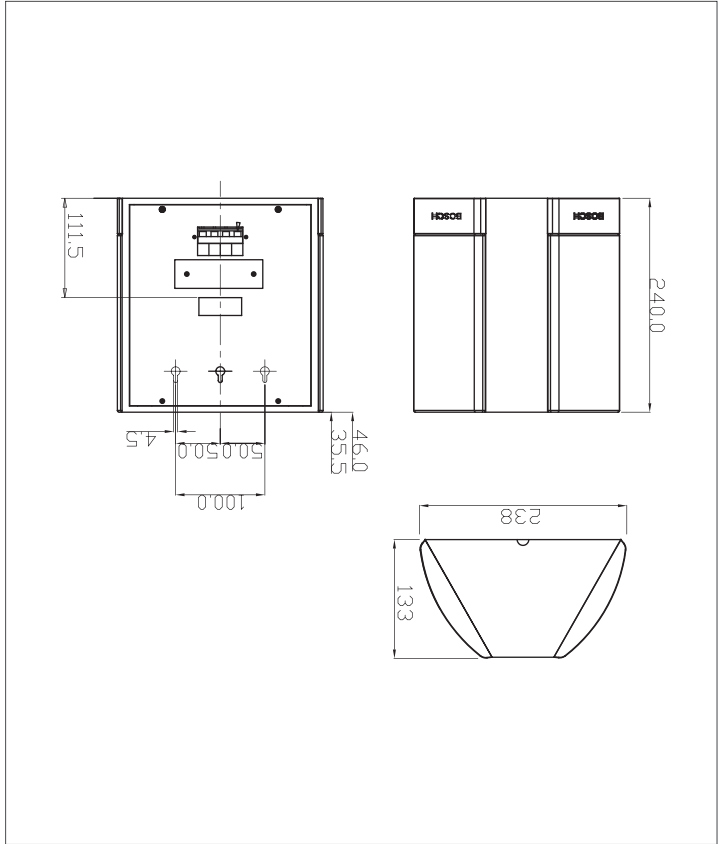
LB1-BW12-D/LB1-BW12-L

Max. power	18 W
Rated power (PHC)	12 W
Sound pressure level at rated power/1W (at 1kHz,1m)	97/86 dB
Effective frequency range (-10 dB)	140 Hz to 20 kHz
Opening angle (at 1kHz /4kHz, -6dB)	
Horizontal	270/162
Vertical	
Rated voltage	100V
Rated impedance	833 Ohm
Size of speaker	5.25" (2 x)
Magnet weight	2.8 oz
Ambient temperature range	-25 to 55 C
Safety	EN 60065
Connection	4-pole push- n termina block
Dimension(HxWxD)	240x238x152
Colour	
Cabinet/front	Matches RAL 9010/RAL 7044 (L)
Cabinet/front	Matches RAL 9004/RAL 9004 (-D)
Weight	1.5kg

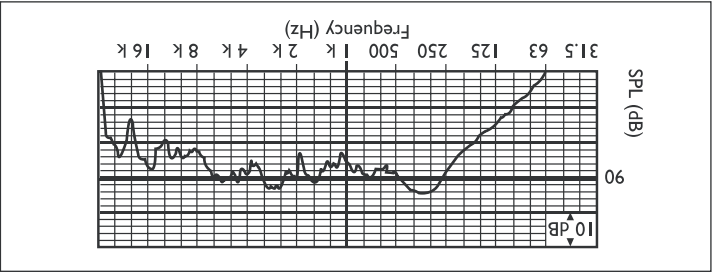




Dimensions of LB1-BW12-D, LB1-BW12-L (in mm)



Frequency response (LB1-BW12-D, LB1-BW12-L)



Circuit diagram of LB1-BW12-D, LB1-BW12-L

